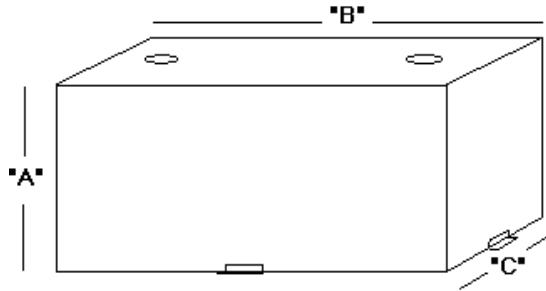
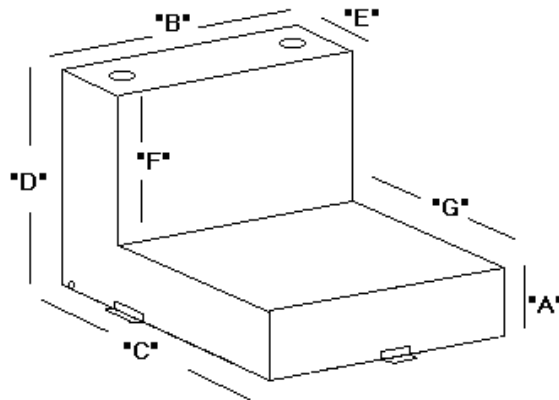




CUSTOM ORDER FORM



"A"	"B"	"C"	Gallons



"A"	"B"	"C"	"D"	"E"	"F"	"G"	Gallons

*Fuel cap adds 2 1/2" to overall height

*All refueling tanks will be .125 DP aluminum unless noted otherwise

* Mounting brackets add 1 1/2" to each side of length and/or width at bottom of tank – mounting bracket location will be standard unless noted otherwise

*Bung locations will be standard unless noted otherwise

*Diesel Install kits are only needed for Auxiliary Tanks

Refueling Tank? (Y/N) _____ Auxiliary Tank? (Y/N) _____ Auxiliary Diesel Install Kit? (Y/N) _____

Quantity: _____ Zip Code: _____ Residential or Commercial Address? _____

Special instructions:

Type of Truck (Year/Make/Model): _____

Phone: _____ Email: _____

Name: _____ Date: _____