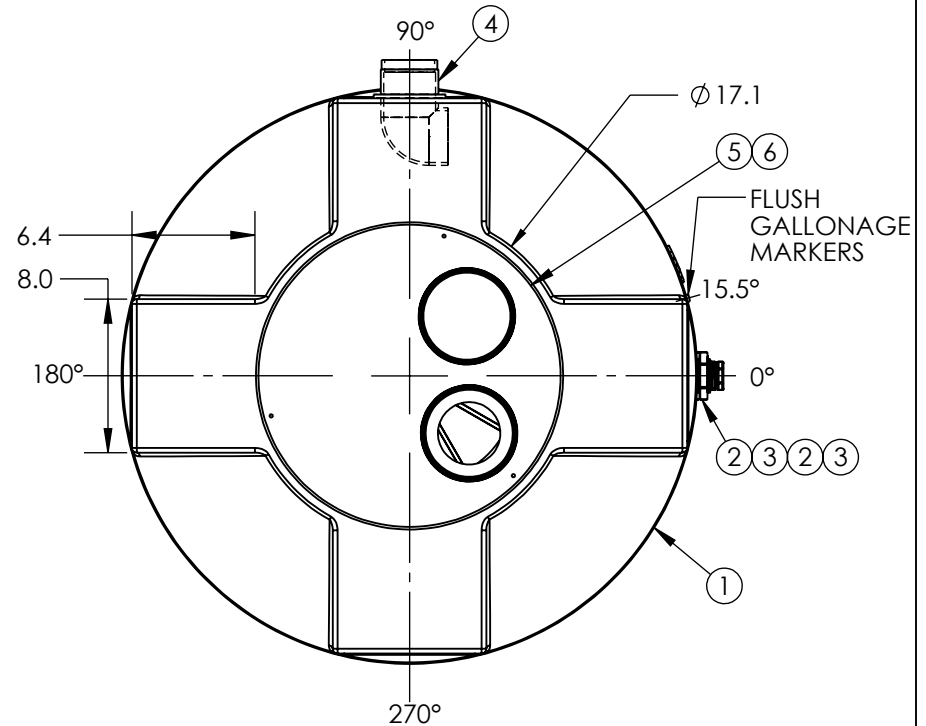
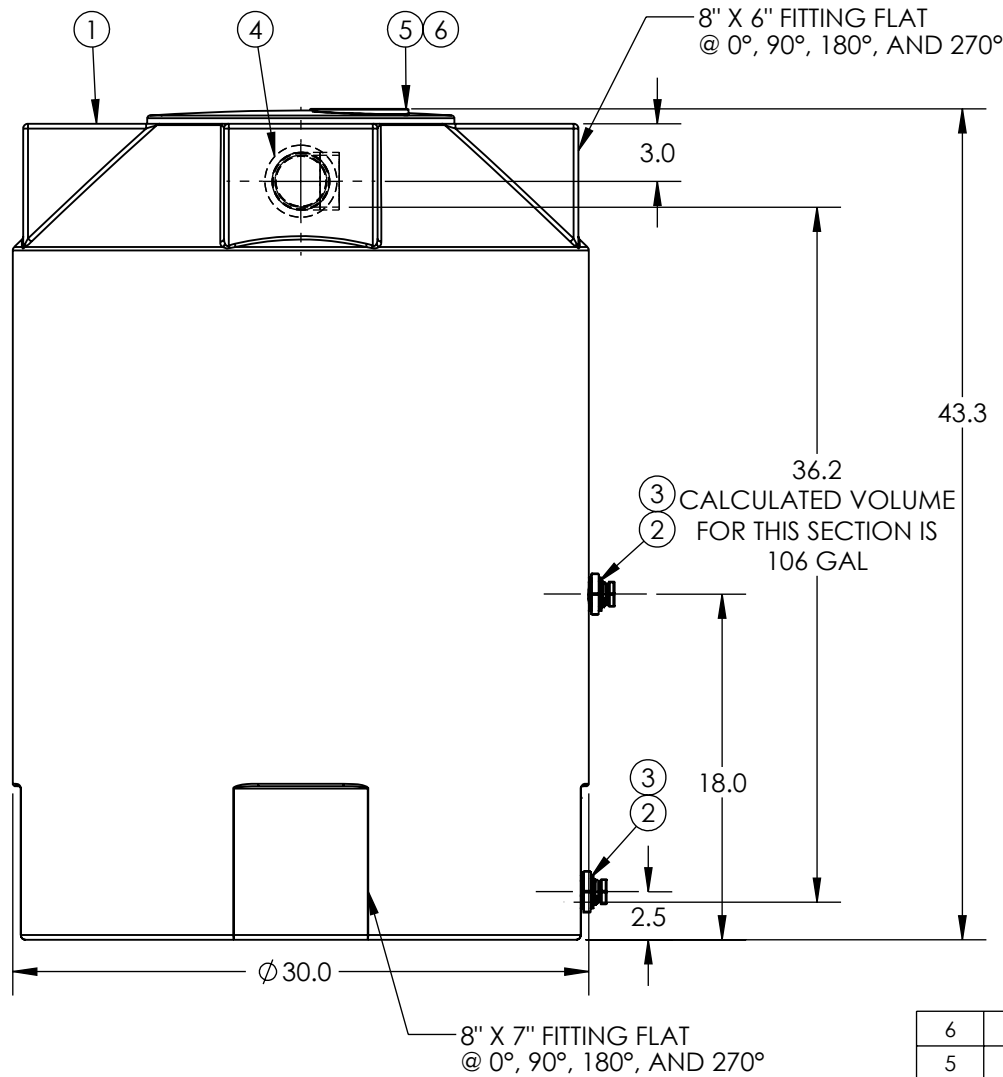



FOB - FAIRFIELD TX

<u>PART NUMBER</u>	<u>DESCRIPTION</u>
30031	BLACK
30705	MOCHA
30037	DARK GREEN
30036	DARK BROWN



6	1	64321	STRAINER COVER SML-HOLE PE/BLK
5	1	64320	STRAINER COVER SML PE/BLK
4	1	39026	KIT TK OUTLET OVERFLOW 3IN
3	2	62256	PLUG 3/4IN MPT
2	2	60401	FTG 3/4IN BH PP/EPDM
1	1	30311PM	100 RHWATER P

ITEM NO.	QTY.	PART NUMBER	DESCRIPTION
DO NOT SCALE		DRAWN BY	TITLE:
Released		SB	100 RHWATER P
© TANK HOLDING, CORP, 2024			REVISION
ALL DIMENSIONS, DESIGNS, AND INFORMATION ON THIS PRINT MUST BE CONSIDERED PROPRIETARY TO TANK HOLDING, CORP. AND MAY NOT BE USED, COPIED, OR DISTRIBUTED WITHOUT WRITTEN PERMISSION OF AN OFFICER (OR HIS AGENT) OF THE FIRM.		1-866-920-TANK www.bushmanusa.com	A
		PART NO.	SHEET
		SEE CHART	1 OF 1
		ENG. ID.	D012874

* CALCULATED VOLUME BASED ON A 3D MODEL AND NOMINAL DIMENSIONS
 * ALL EXTERNAL PIPING MUST BE INDEPENDENTLY SUPPORTED.
 * ONLY BASE FITTINGS TO BE LEFT INSTALLED AT TIME OF SHIPMENT PER SII PROCEDURE.
 ALL DIMENSIONS ARE IN INCHES, NOMINAL, & SUBJECT TO CHANGE WITHOUT NOTICE.
 ALL DIMENSIONS ON ROTATIONAL MOLDED PARTS ARE SUBJECT TO A ± 3% TOLERANCE.