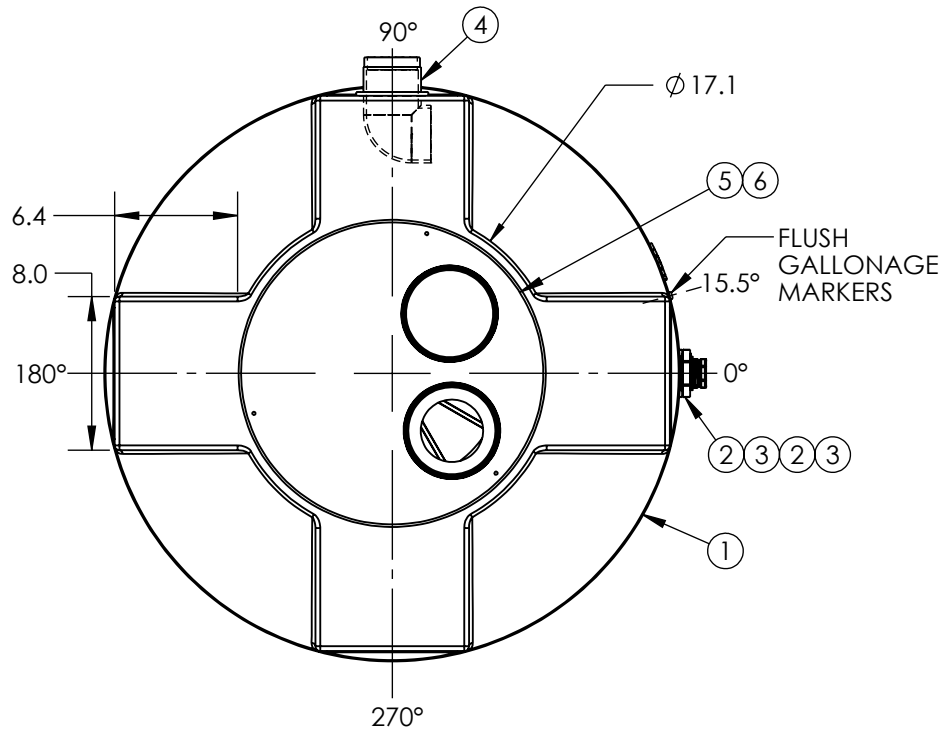
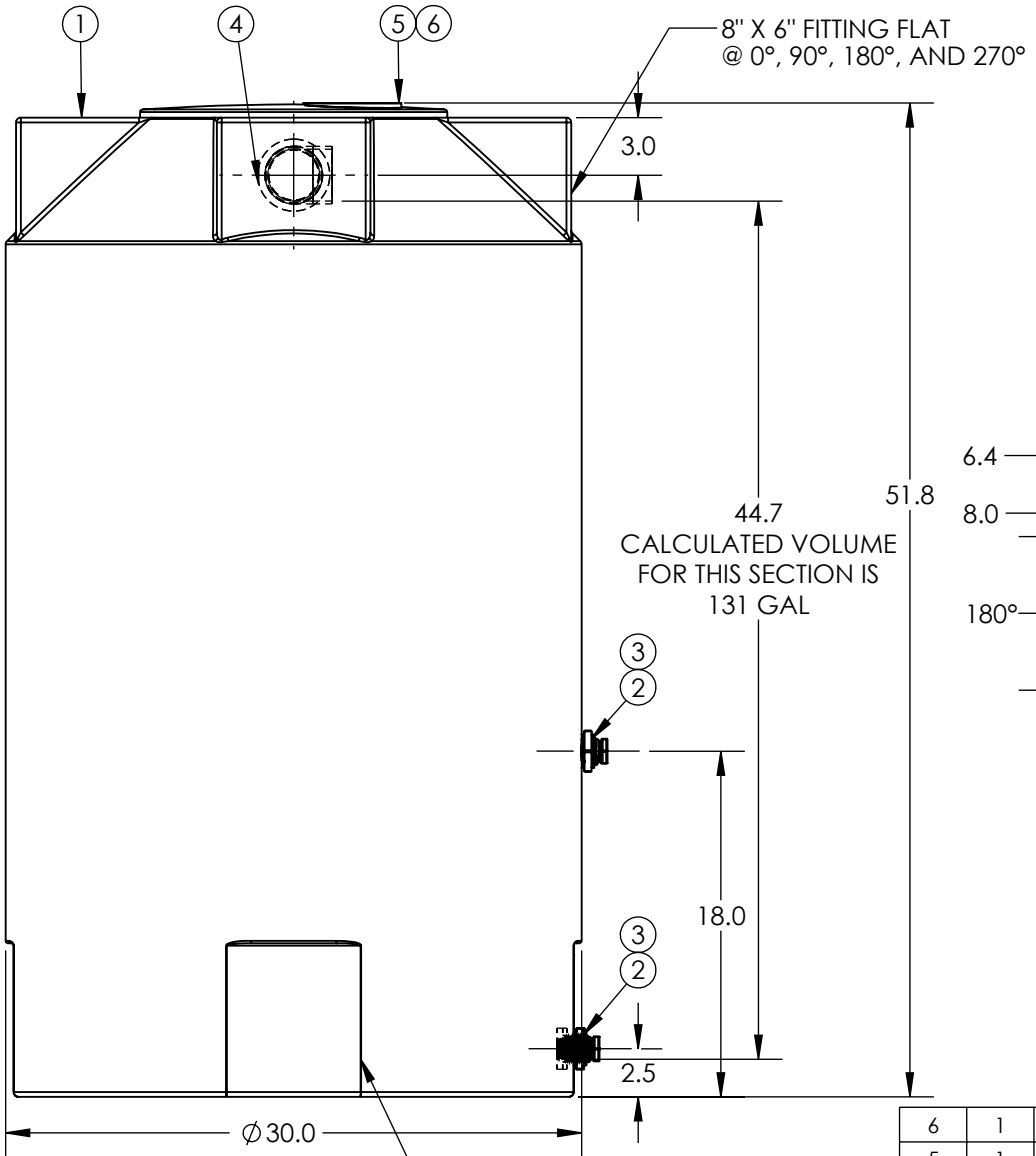


FOB - FAIRFIELD TX

PART NUMBER	DESCRIPTION
30074	BLACK
30707	MOCHA
30078	DARK GREEN
30077	DARK BROWN



44.7
CALCULATED VOLUME
FOR THIS SECTION IS
131 GAL

* CALCULATED VOLUME BASED ON A 3D MODEL AND NOMINAL DIMENSIONS
 * ALL EXTERNAL PIPING MUST BE INDEPENDENTLY SUPPORTED.
 * ONLY BASE FITTINGS TO BE LEFT INSTALLED AT TIME OF SHIPMENT PER SII PROCEDURE.
 ALL DIMENSIONS ARE IN INCHES, NOMINAL, & SUBJECT TO CHANGE WITHOUT NOTICE.
 ALL DIMENSIONS ON ROTATIONAL MOLDED PARTS ARE SUBJECT TO A ± 3% TOLERANCE.

6	1	64321	STRAINER COVER SML-HOLE PE/BLK
5	1	64320	STRAINER COVER SML PE/BLK
4	1	39026	KIT TK OUTLET OVERFLOW 3IN
3	2	62256	PLUG 3/4IN MPT
2	2	60401	FTG 3/4IN BH PP/EPDM
1	1	30312PM	125 RHWATER P

ITEM NO.	QTY.	PART NUMBER	DESCRIPTION
DO NOT SCALE		DRAWN BY	TITLE:
STATUS: Released		SB	125 RHWATER P
© TANK HOLDING, CORP, 2024			REVISION A
ALL DIMENSIONS, DESIGNS, AND INFORMATION ON THIS PRINT MUST BE CONSIDERED PROPRIETARY TO TANK HOLDING, CORP. AND MAY NOT BE USED, COPIED, OR DISTRIBUTED WITHOUT WRITTEN PERMISSION OF AN OFFICER (OR HIS AGENT) OF THE FIRM.		1-866-920-TANK www.bushmanusa.com	SHEET 1 OF 1
PART NO. SEE CHART		ENG. ID. D012875	