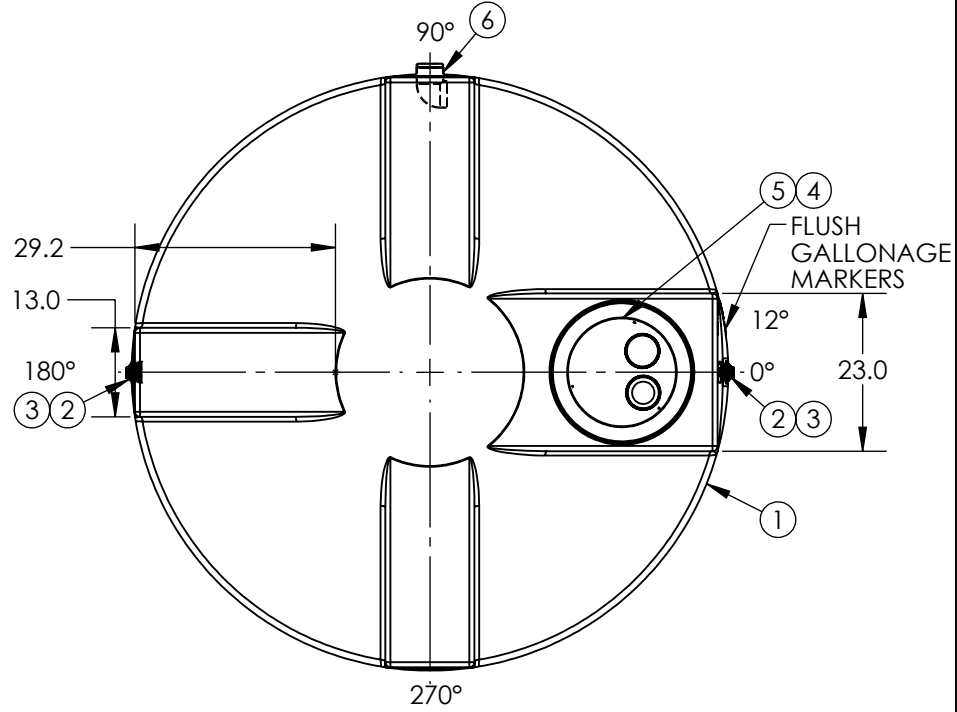
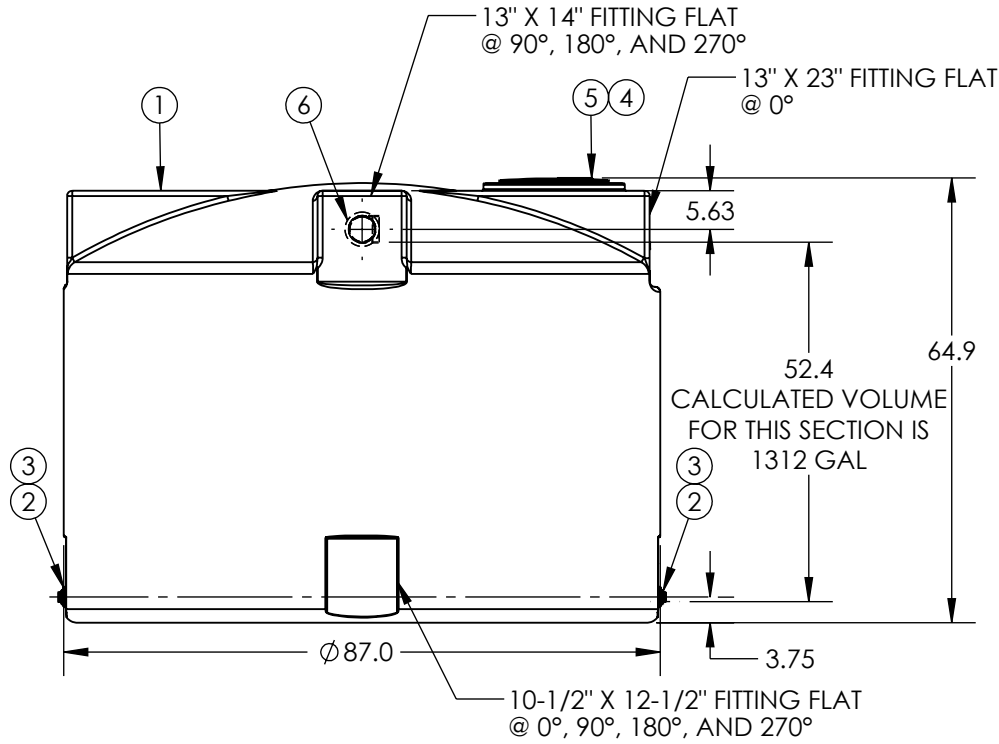



<u>PART NUMBER</u>	<u>DESCRIPTION</u>
30361	BLACK
30716	MOCHA
30365	DARK GREEN
30364	DARK BROWN



* CALCULATED VOLUME BASED ON A 3D MODEL AND NOMINAL DIMENSIONS
 * ALL EXTERNAL PIPING MUST BE INDEPENDENTLY SUPPORTED.
 * ONLY BASE FITTINGS TO BE LEFT INSTALLED AT TIME OF SHIPMENT PER SII PROCEDURE.
 ALL DIMENSIONS ARE IN INCHES, NOMINAL, & SUBJECT TO CHANGE WITHOUT NOTICE.
 ALL DIMENSIONS ON ROTATIONAL MOLDED PARTS ARE SUBJECT TO A ± 3% TOLERANCE.

6	1	39025	KIT TK OUTLET OVERFLOW 4IN
5	1	64320	STRAINER COVER SML PE/BLK
4	1	64321	STRAINER COVER SML-HOLE PE/BLK
3	2	62257	PLUG 1IN NPT BLK PP
2	2	60427	RFTG 1IN BH PP/EPDM
1	1	30319PM	1500 RHWATER P

ITEM NO.	QTY.	PART NUMBER	DESCRIPTION
DO NOT SCALE		DRAWN BY	TITLE:
Released		SB	1500 RHWATER P
© TANK HOLDING, CORP, 2024			REVISION
ALL DIMENSIONS, DESIGNS, AND INFORMATION ON THIS PRINT MUST BE CONSIDERED PROPRIETARY TO TANK HOLDING, CORP. AND MAY NOT BE USED, COPIED, OR DISTRIBUTED WITHOUT WRITTEN PERMISSION OF AN OFFICER (OR HIS AGENT) OF THE FIRM.		1-866-920-TANK www.bushmanusa.com	A
		PART NO.	SHEET
		SEE CHART	1 OF 1
		ENG. ID.	D012976