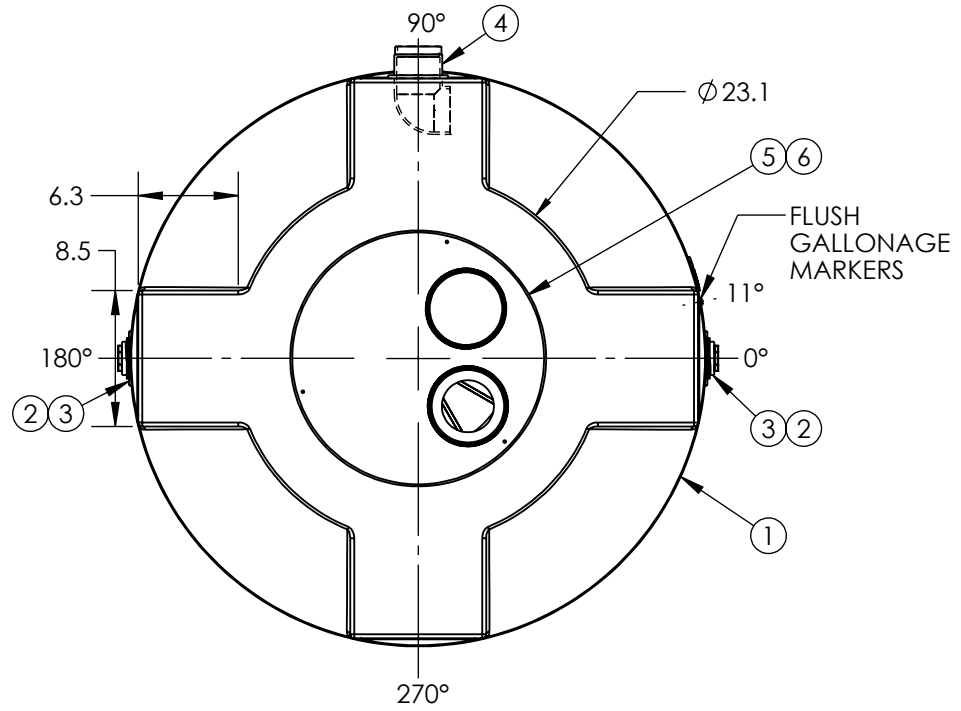
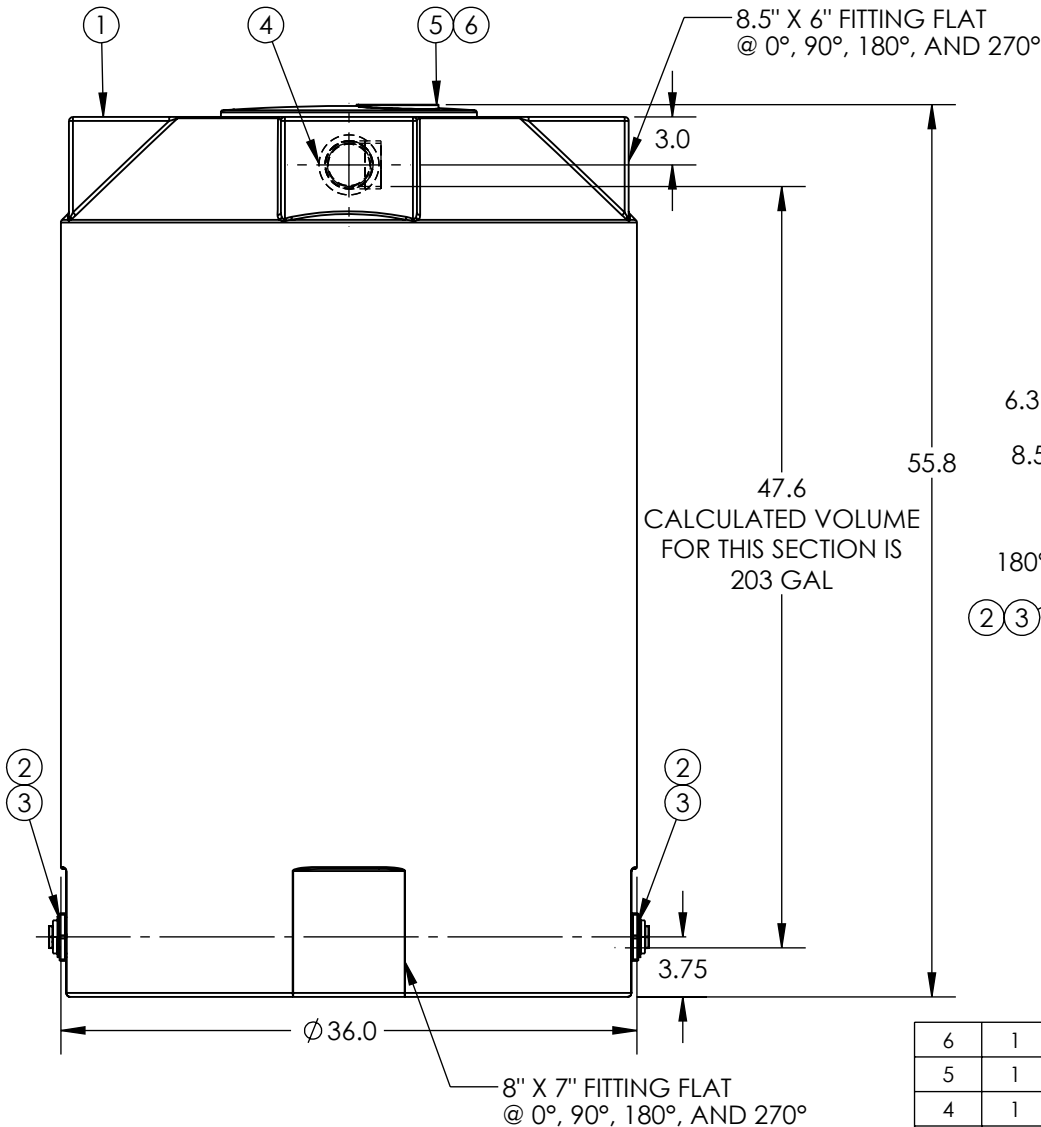


FOB - FAIRFIELD TX

<u>PART NUMBER</u>	<u>DESCRIPTION</u>
30170	BLACK
30709	MOCHA
30174	DARK GREEN
30173	DARK BROWN



6	1	64321	STRAINER COVER SML-HOLE PE/BLK
5	1	64320	STRAINER COVER SML PE/BLK
4	1	39026	KIT TK OUTLET OVERFLOW 3IN
3	2	60427	RFTG 1IN BH PP/EPDM
2	2	62257	PLUG 1IN NPT BLK PP
1	1	30314PM	200 RHWATER P

ITEM NO.	QTY.	PART NUMBER	DESCRIPTION
DO NOT SCALE		DRAWN BY	TITLE:
STATUS:		Released	SB
© TANK HOLDING, CORP, 2024		 200 RHWATER P	
ALL DIMENSIONS, DESIGNS, AND INFORMATION ON THIS PRINT MUST BE CONSIDERED PROPRIETARY TO TANK HOLDING, CORP. AND MAY NOT BE USED, COPIED, OR DISTRIBUTED WITHOUT WRITTEN PERMISSION OF AN OFFICER (OR HIS AGENT) OF THE FIRM.		 A BRAND OF TANK HOLDING CORP.	REVISION A SHEET 1 OF 1
1-866-920-TANK www.bushmanusa.com		PART NO.	ENG. ID.
SEE CHART		SEE CHART	D012877

* CALCULATED VOLUME BASED ON A 3D MODEL AND NOMINAL DIMENSIONS
 *ALL EXTERNAL PIPING MUST BE INDEPENDENTLY SUPPORTED.
 *ONLY BASE FITTINGS TO BE LEFT INSTALLED AT TIME OF SHIPMENT PER SII PROCEDURE.
 ALL DIMENSIONS ARE IN INCHES, NOMINAL, & SUBJECT TO CHANGE WITHOUT NOTICE.
 ALL DIMENSIONS ON ROTATIONAL MOLDED PARTS ARE SUBJECT TO A ± 3% TOLERANCE.