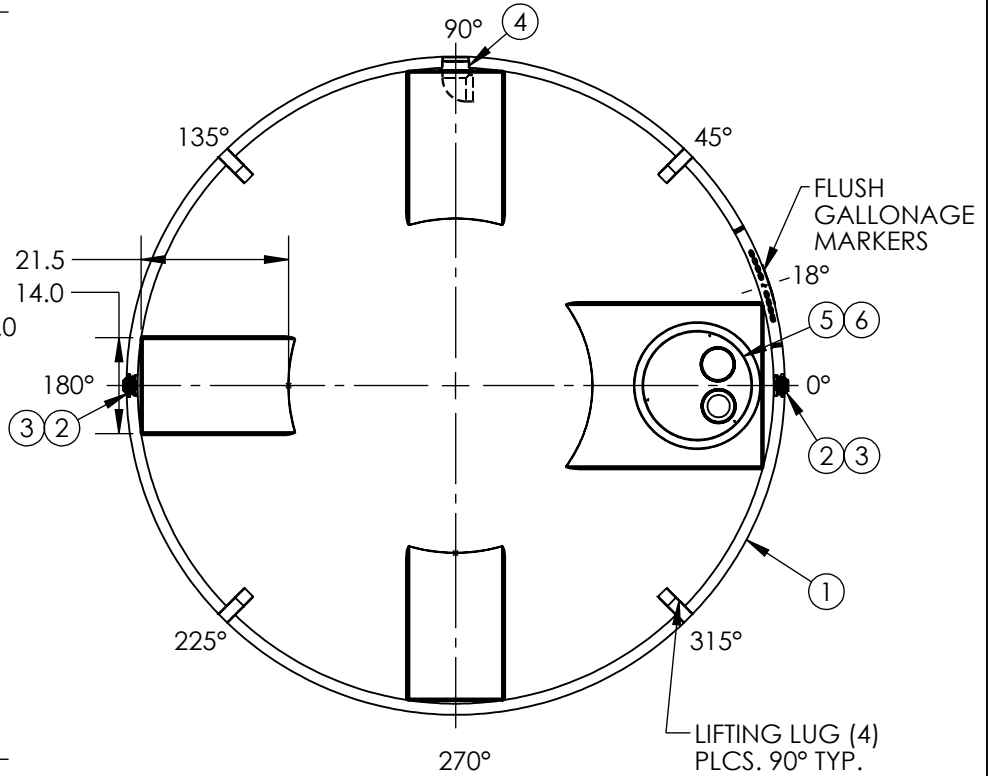
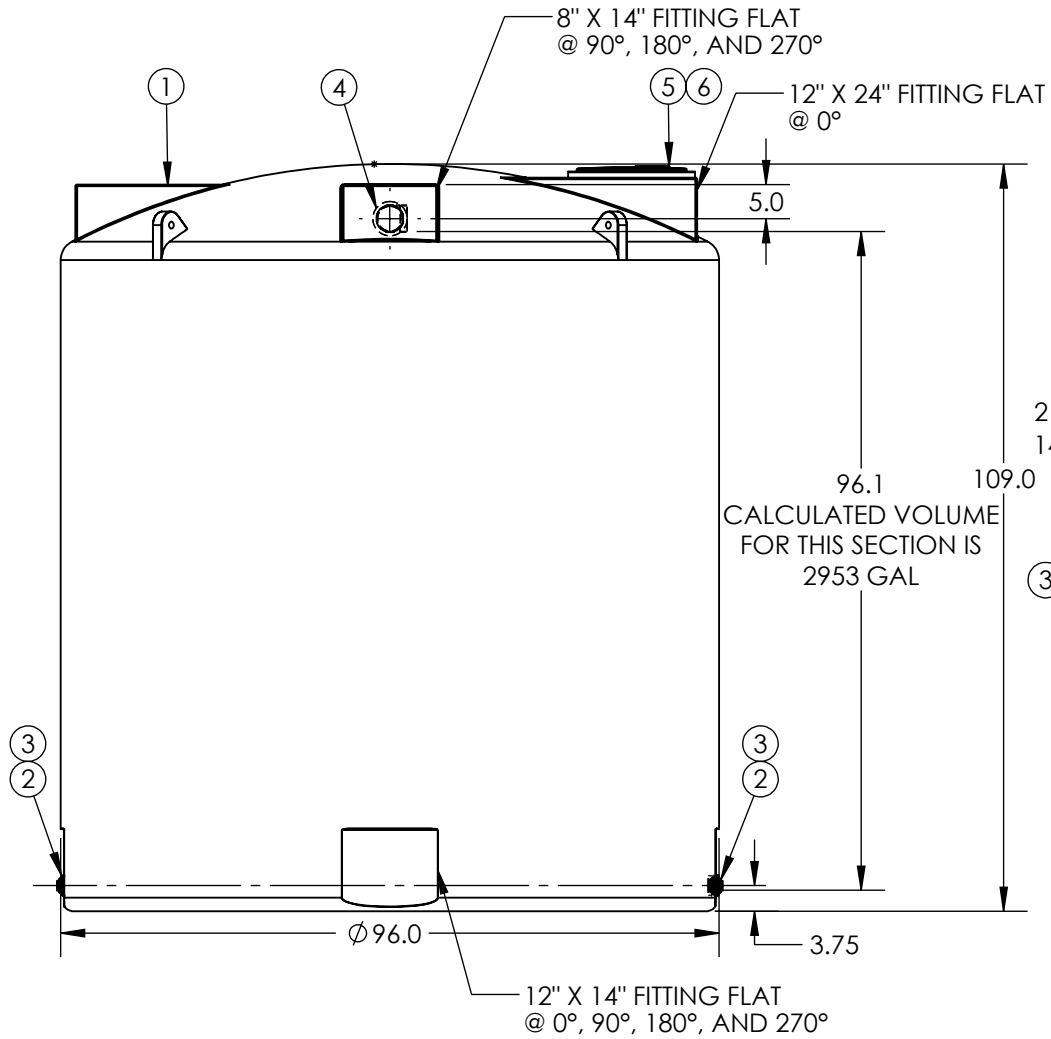



| <u>PART NUMBER</u> | <u>DESCRIPTION</u> |
|--------------------|--------------------|
| 42852 | BLACK |
| 42854 | MOCHA |
| 42858 | DARK GREEN |
| 42861 | DARK BROWN |



CALCULATED VOLUME FOR THIS SECTION IS 2953 GAL

* CALCULATED VOLUME BASED ON A 3D MODEL AND NOMINAL DIMENSIONS
 * ALL EXTERNAL PIPING MUST BE INDEPENDENTLY SUPPORTED.
 * ONLY BASE FITTINGS TO BE LEFT INSTALLED AT TIME OF SHIPMENT PER SII PROCEDURE.
 ALL DIMENSIONS ARE IN INCHES, NOMINAL, & SUBJECT TO CHANGE WITHOUT NOTICE.
 ALL DIMENSIONS ON ROTATIONAL MOLDED PARTS ARE SUBJECT TO A ± 3% TOLERANCE.

| | | | |
|---|---|---------|--------------------------------|
| 6 | 1 | 64321 | STRAINER COVER SML-HOLE PE/BLK |
| 5 | 1 | 64320 | STRAINER COVER SML PE/BLK |
| 4 | 1 | 39025 | KIT TK OUTLET OVERFLOW 4IN |
| 3 | 2 | 62257 | PLUG 1IN NPT BLK PP |
| 2 | 2 | 60427 | RFTG 1IN BH PP/EPDM |
| 1 | 1 | 30411RP | 3000 RHWATER P |

| ITEM NO. | QTY. | PART NUMBER | DESCRIPTION |
|---|------|---|-------------------------|
| DO NOT SCALE | | DRAWN BY | TITLE: |
| Released | | SB | 3000 RHWATER P |
| © TANK HOLDING, CORP, 2024 | |  | REVISION A |
| ALL DIMENSIONS, DESIGNS, AND INFORMATION ON THIS PRINT MUST BE CONSIDERED PROPRIETARY TO TANK HOLDING, CORP. AND MAY NOT BE USED, COPIED, OR DISTRIBUTED WITHOUT WRITTEN PERMISSION OF AN OFFICER (OR HIS AGENT) OF THE FIRM. | | 1-866-920-TANK www.bushmanusa.com | SHEET 1 OF 1 |
| | | PART NO. SEE CHART | ENG. ID. D012885 |