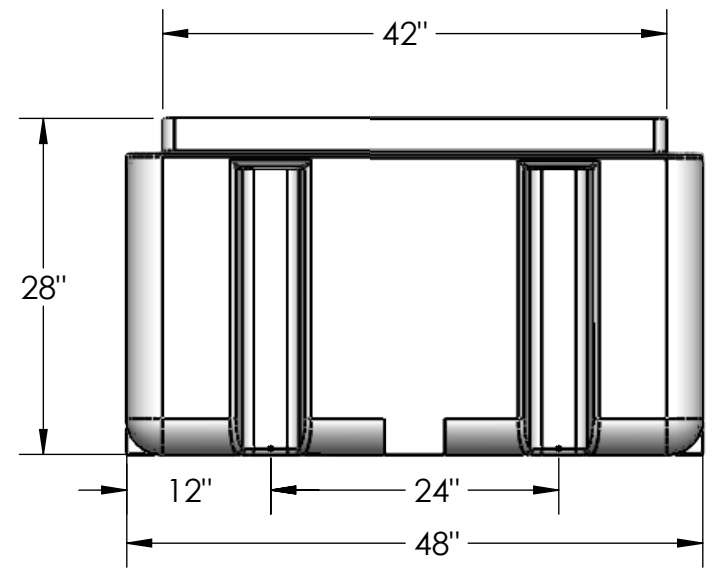
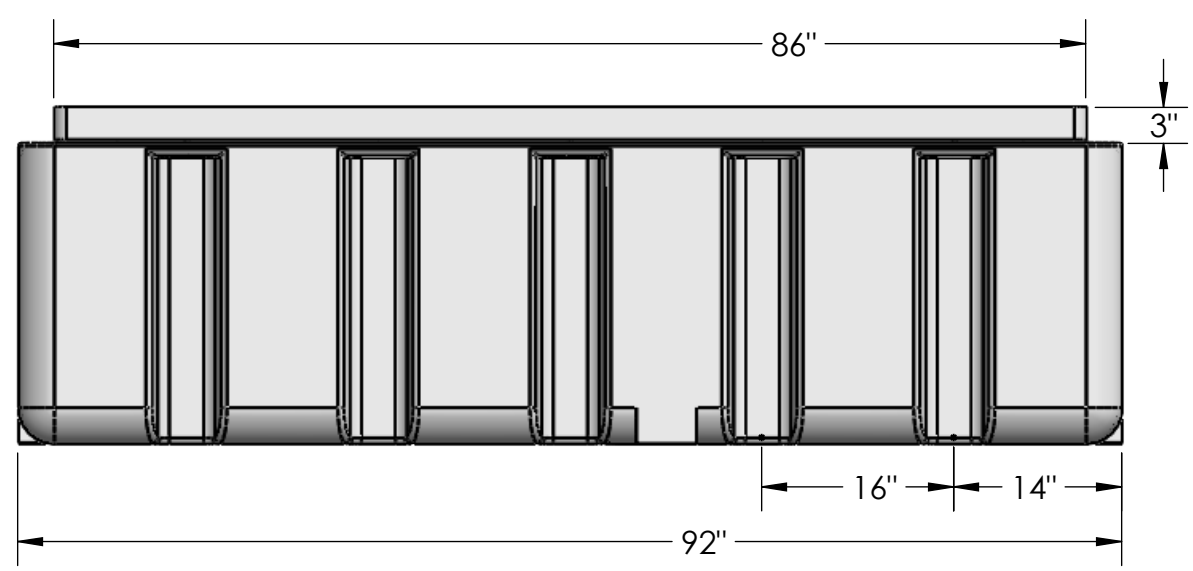
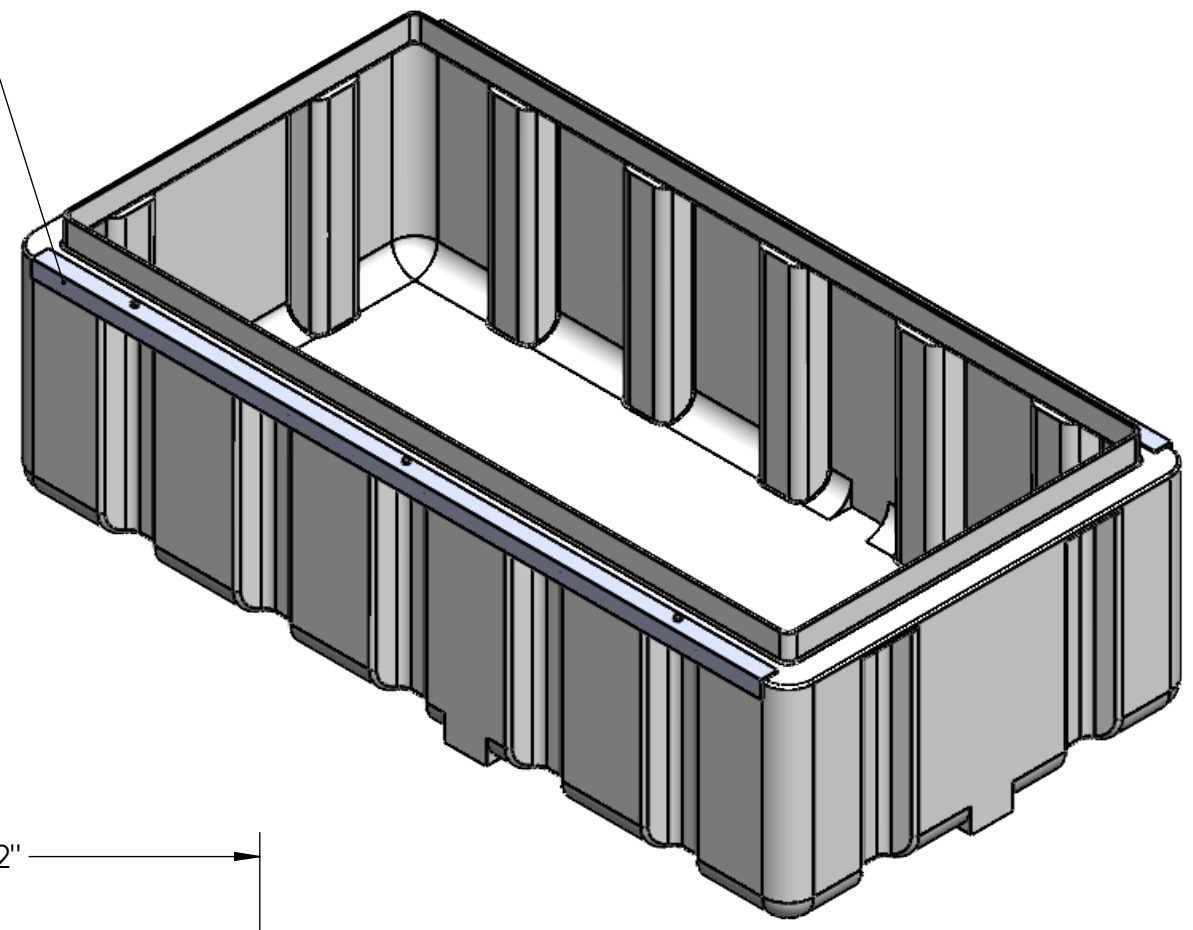
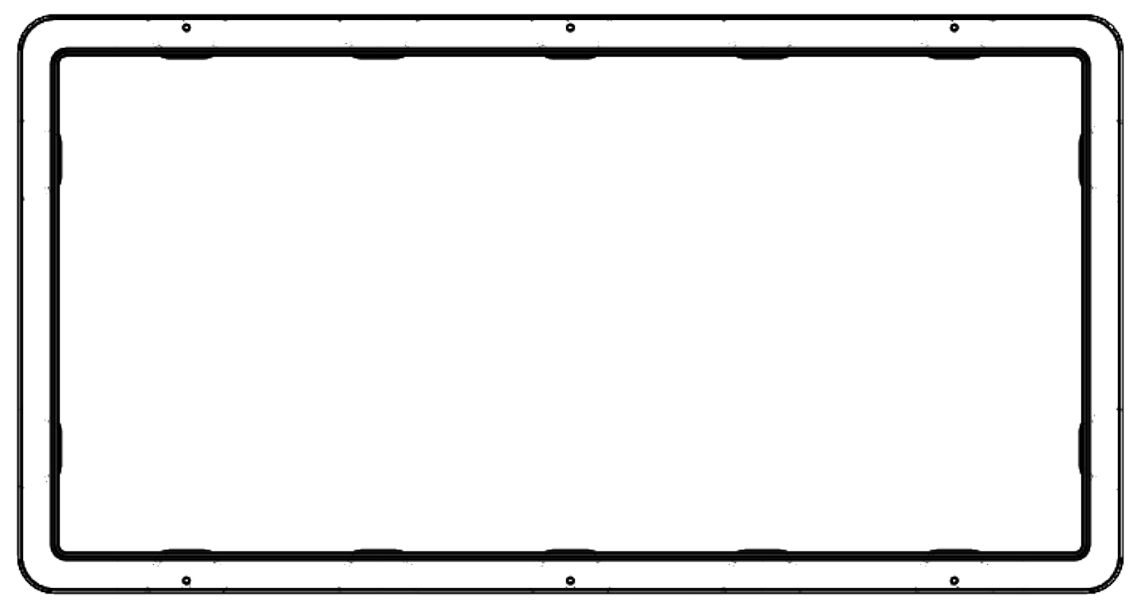


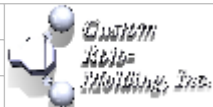
8 7 6 5 4 3 2 1

SUPPORT FRAME OPTIONAL
PART NUMBER 500 ROTTSF



NOTES:
1. MATERIAL: HDPE
2. SHIPPING WT. 145 LBS.

PROPRIETARY AND CONFIDENTIAL
THE INFORMATION CONTAINED IN THIS DRAWING IS THE SOLE PROPERTY OF <INSERT COMPANY NAME HERE>. ANY REPRODUCTION IN PART OR AS A WHOLE WITHOUT THE WRITTEN PERMISSION OF <INSERT COMPANY NAME HERE> IS PROHIBITED.

		UNLESS OTHERWISE SPECIFIED:		NAME	DATE		
		DIMENSIONS ARE IN INCHES TOLERANCES: FRACTIONAL ± ANGULAR: MACH ± BEND ± TWO PLACE DECIMAL ± THREE PLACE DECIMAL ±		DRAWN	EBW		12-8-16
		INTERPRET GEOMETRIC TOLERANCING PER:		CHECKED			
		MATERIAL		ENG APPR.			
		FINISH		MFG APPR.			
NEXT ASSY	USED ON			Q.A.			
APPLICATION		DO NOT SCALE DRAWING		COMMENTS:			
				TITLE:		500 GALLON RECTANGULAR OPEN TOP TANK	
		SIZE	DWG. NO.			REV	
		B	500 ROTT				
				SCALE: 1:16	WEIGHT:	SHEET 1 OF 1	

8 7 6 5 4 3 2 1