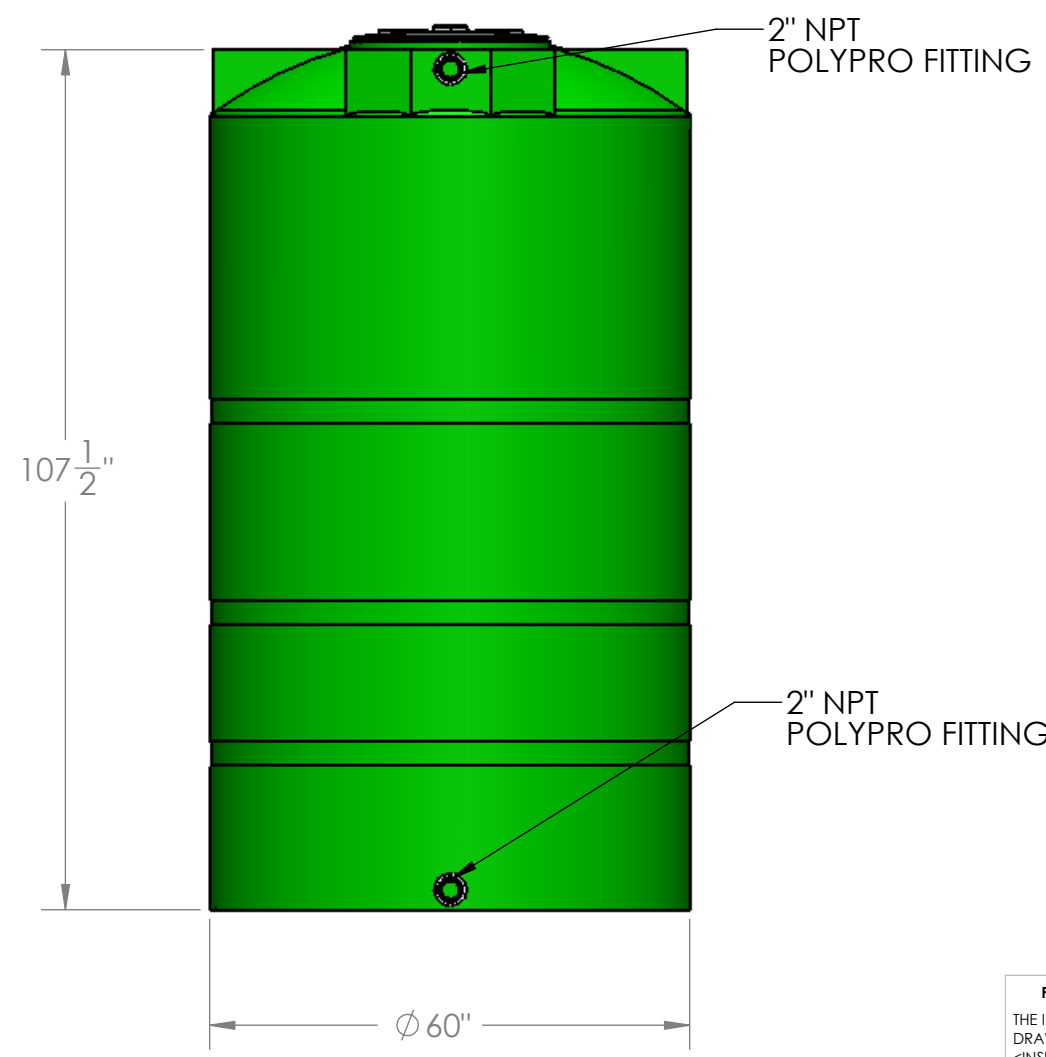


24" THREADED LID
W/BREATHER

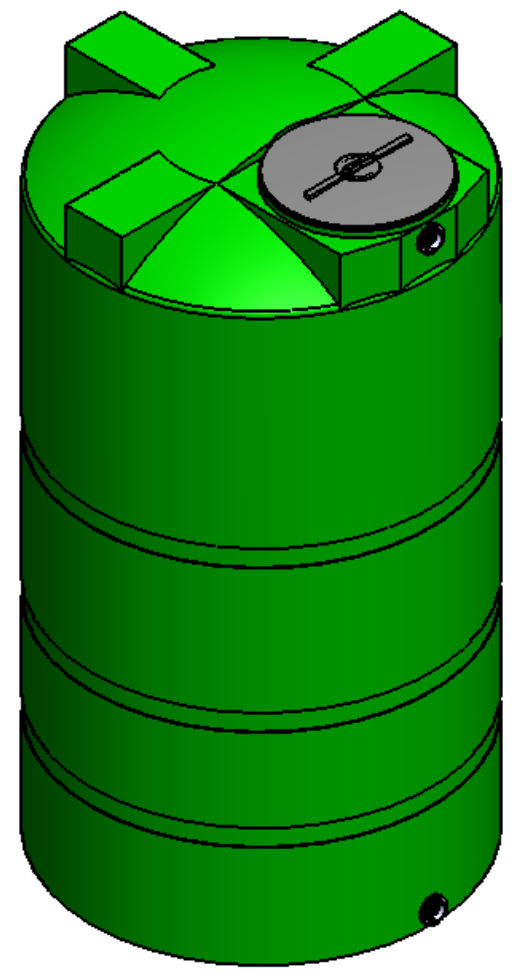


2" NPT
POLYPRO FITTING

2" NPT
POLYPRO FITTING

107 1/2"

Ø 60"



NOTES:

1. MATERIAL: HDPE
2. COLOR: DARK GREEN
3. WEIGHT: 167 LBS.

PROPRIETARY AND CONFIDENTIAL
THE INFORMATION CONTAINED IN THIS DRAWING IS THE SOLE PROPERTY OF <INSERT COMPANY NAME HERE>. ANY REPRODUCTION IN PART OR AS A WHOLE WITHOUT THE WRITTEN PERMISSION OF <INSERT COMPANY NAME HERE> IS PROHIBITED.

		UNLESS OTHERWISE SPECIFIED:		NAME	DATE	CUSTOM ROTO-MOLDING, INC.	
		DIMENSIONS ARE IN INCHES		DRAWN	EBW	12-15-11	
		TOLERANCES:		CHECKED			TITLE:
		FRACTIONAL ±		ENG APPR.			1225 GALLON VERTICAL TANK, FRESH WATER GREEN
		ANGULAR: MACH ± BEND ±		MFG APPR.			SIZE DWG. NO. REV
		TWO PLACE DECIMAL ±		Q.A.			B 1225 VT FWG
		THREE PLACE DECIMAL ±		COMMENTS:			SCALE: 1:32 WEIGHT: SHEET 1 OF 1
		INTERPRET GEOMETRIC TOLERANCING PER:					
		MATERIAL					
		FINISH					
NEXT ASSY	USED ON	APPLICATION		DO NOT SCALE DRAWING			