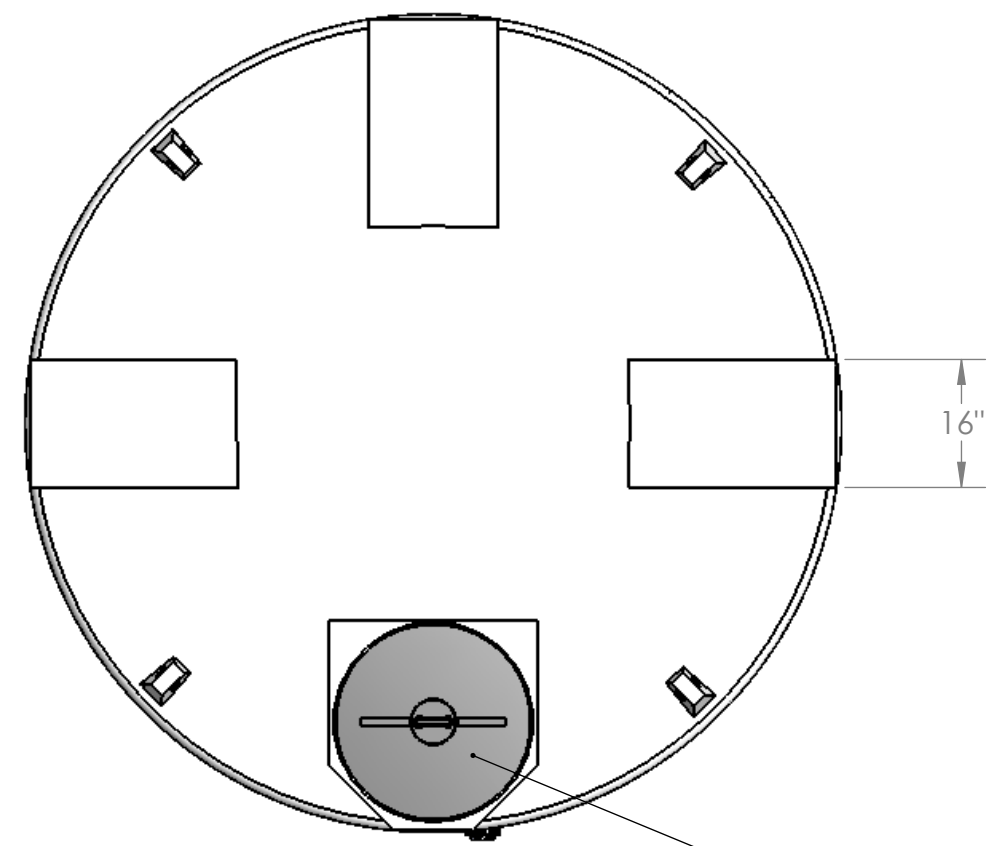


8 7 6 5 4 3 2 1

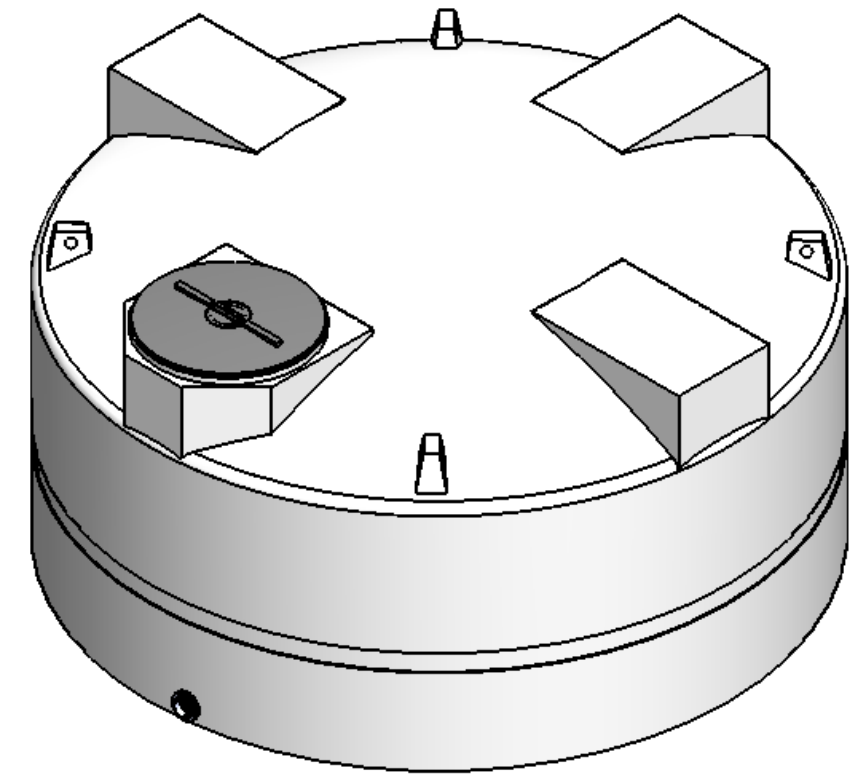
D

D



24" THREADED LID
W/BREATHER

1 1/2"
LIFTING EYE
(4) PLCS.



NOTES:

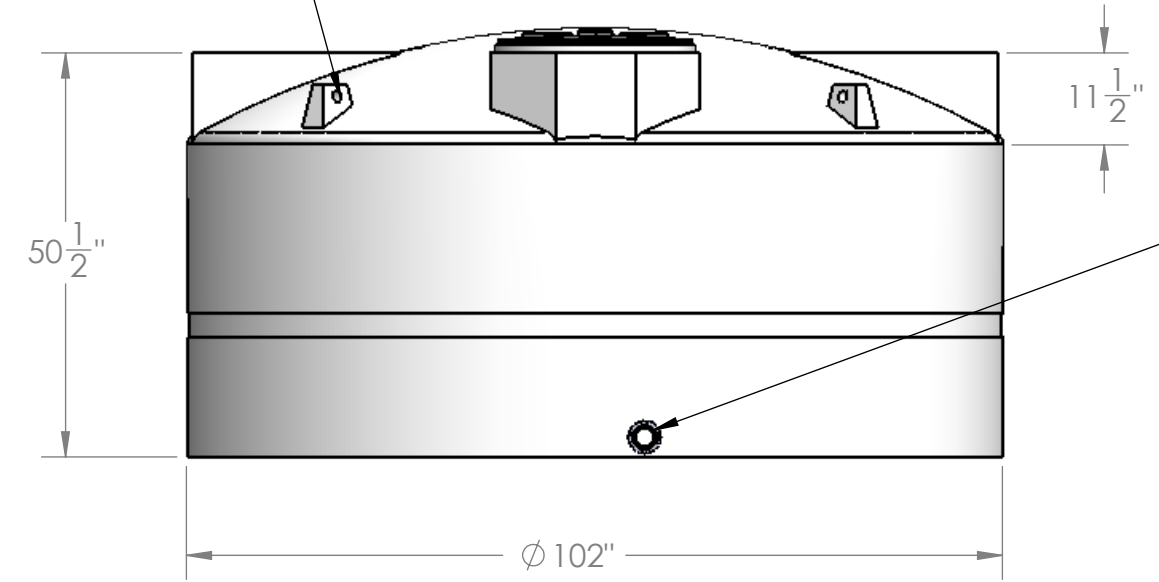
1. MATERIAL: HDPE
2. WEIGHT: STD. RATED 1.5 S.G. 265 LBS
HD. RATED 2.0 S.G. 350 LBS

C

C

B

B



2" NPT
POLYPRO FITTING

A

A

PROPRIETARY AND CONFIDENTIAL
THE INFORMATION CONTAINED IN THIS DRAWING IS THE SOLE PROPERTY OF <INSERT COMPANY NAME HERE>. ANY REPRODUCTION IN PART OR AS A WHOLE WITHOUT THE WRITTEN PERMISSION OF <INSERT COMPANY NAME HERE> IS PROHIBITED.

		UNLESS OTHERWISE SPECIFIED:		NAME	DATE	CUSTOM ROTO-MOLDING, INC.		
		DIMENSIONS ARE IN INCHES TOLERANCES: FRACTIONAL ± ANGULAR: MACH ± BEND ± TWO PLACE DECIMAL ± THREE PLACE DECIMAL ±		DRAWN	6/4/09			
		INTERPRET GEOMETRIC TOLERANCING PER:		CHECKED		TITLE: 1600 GALLON VERTICAL TANK		
		MATERIAL		ENG APPR.				
NEXT ASSY	USED ON	FINISH		MFG APPR.		SIZE	DWG. NO.	REV
APPLICATION		DO NOT SCALE DRAWING		Q.A.		B	1600 VTS	
				COMMENTS:		SCALE: 1:32	WEIGHT:	SHEET 1 OF 1

8 7 6 5 4 3 2 1