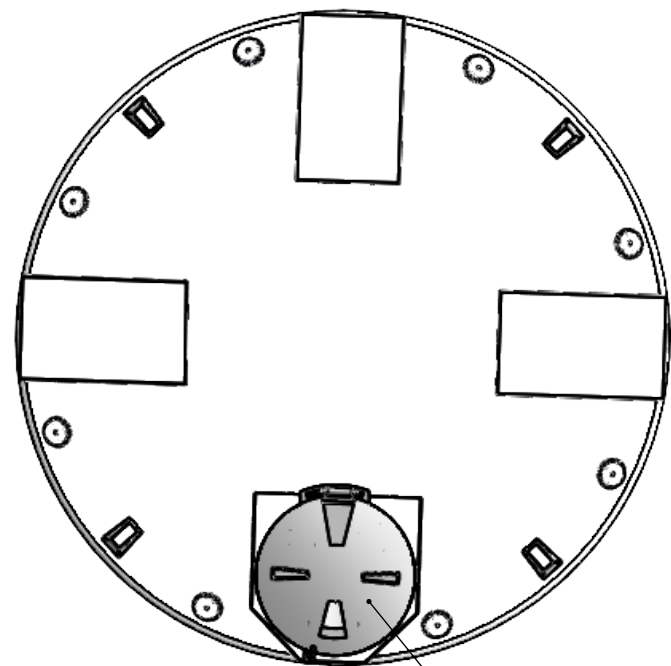


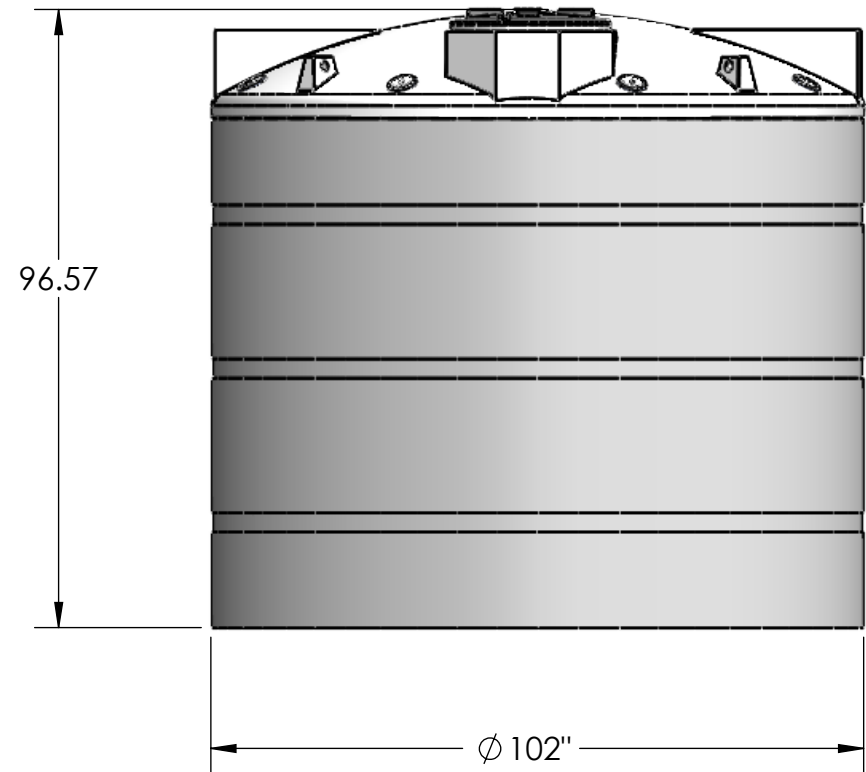
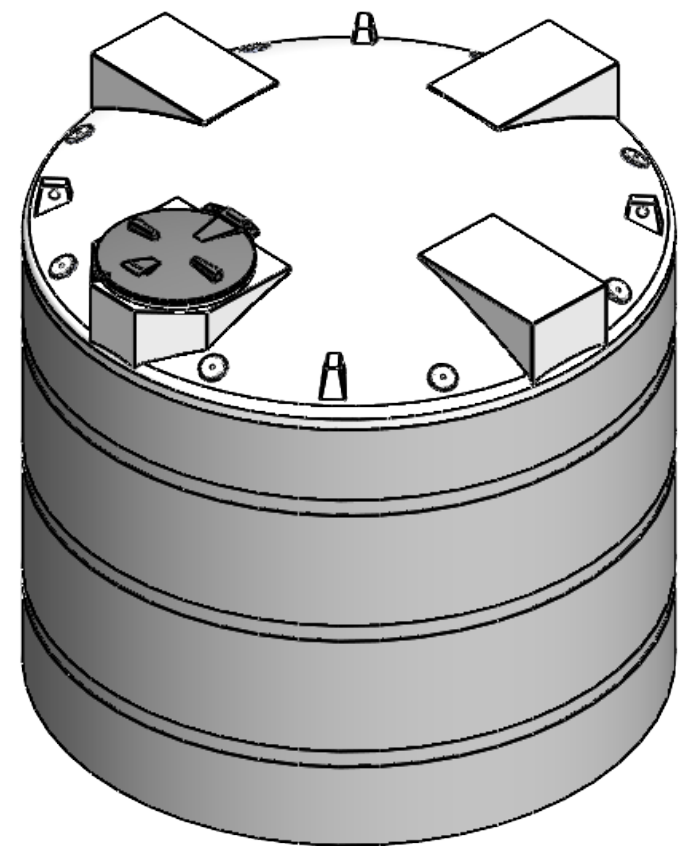
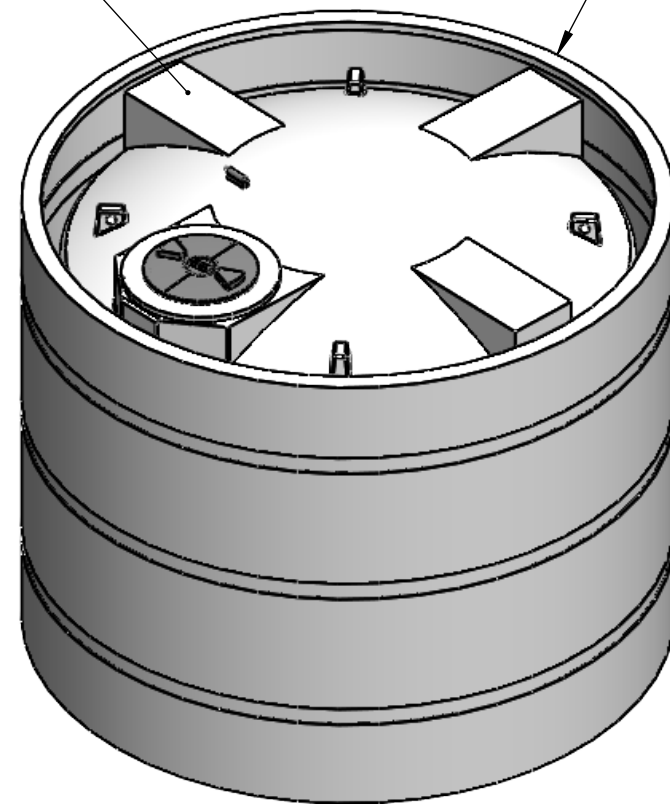
D
C
B
A

D
C
B
A



24" NON-VENTED LOCKING LID

2000 VTHD OVERPACK



- NOTES:**
- 1. PRIMARY TANK CAPACITY: 2000 GALLONS**
 - 2. OVERPACK CAPACITY: 2600 GALLONS**
 - 3. MATERIAL: TANK, HDPE**
 - 4. MATERIAL: OVERPACK, HDPE**
 - 5. SHIPPING WT. 1109 LBS.**

PROPRIETARY AND CONFIDENTIAL
 THE INFORMATION CONTAINED IN THIS DRAWING IS THE SOLE PROPERTY OF <INSERT COMPANY NAME HERE>. ANY REPRODUCTION IN PART OR AS A WHOLE WITHOUT THE WRITTEN PERMISSION OF <INSERT COMPANY NAME HERE> IS PROHIBITED.

		UNLESS OTHERWISE SPECIFIED:		NAME	DATE
		DIMENSIONS ARE IN INCHES TOLERANCES: FRACTIONAL ± ANGULAR: MACH ± BEND ± TWO PLACE DECIMAL ± THREE PLACE DECIMAL ±		DRAWN	EBW 12/02/12
		INTERPRET GEOMETRIC TOLERANCING PER:		CHECKED	
		MATERIAL		ENG APPR.	
		FINISH		MFG APPR.	
NEXT ASSY	USED ON			Q.A.	
APPLICATION		DO NOT SCALE DRAWING		COMMENTS:	
<p>TITLE: 2000 VT ENCAPSOLATED</p>					
SIZE	DWG. NO.			REV	
B	2000 VTE				
SCALE: 1:48 WEIGHT:				SHEET 1 OF 1	