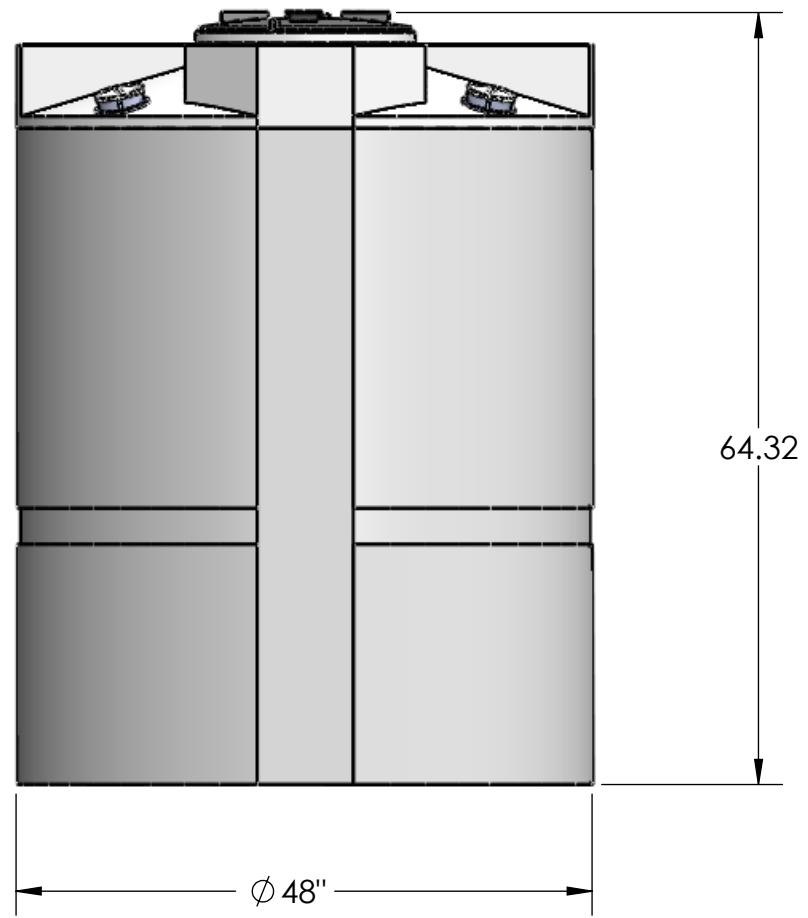
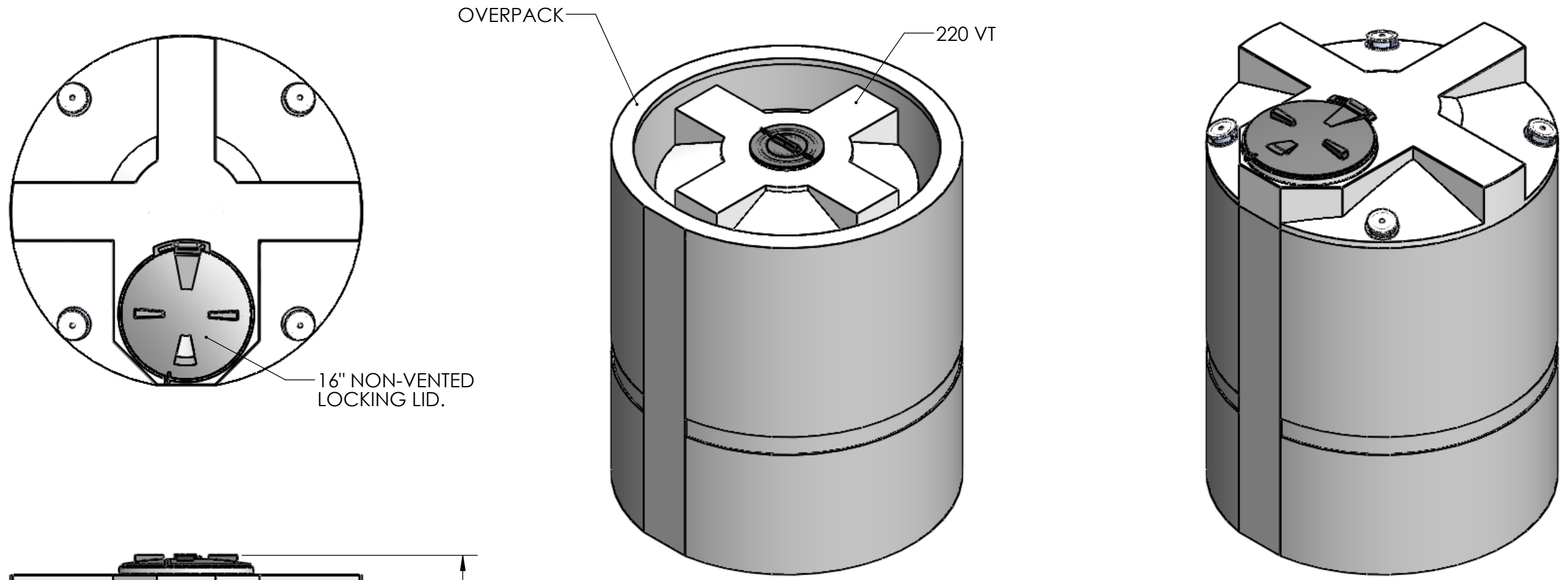


D  
C  
B  
A

D  
C  
B  
A



OVERPACK 220 VT

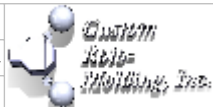
16" NON-VENTED LOCKING LID.

NOTES:

1. PRIMARY TANK CAPACITY: 220 GALLONS
2. OVERPACK CAPACITY: 375 GALLONS
3. MATERIAL: TANK: HDPE  
OVERPACK: HDPE
4. SHIPPING WEIGHT: 130 LBS.

**PROPRIETARY AND CONFIDENTIAL**  
 THE INFORMATION CONTAINED IN THIS DRAWING IS THE SOLE PROPERTY OF <INSERT COMPANY NAME HERE>. ANY REPRODUCTION IN PART OR AS A WHOLE WITHOUT THE WRITTEN PERMISSION OF <INSERT COMPANY NAME HERE> IS PROHIBITED.

		UNLESS OTHERWISE SPECIFIED:		NAME	DATE
		DIMENSIONS ARE IN INCHES		DRAWN	EBW 12-17-14
		TOLERANCES:		CHECKED	
		FRACTIONAL ±		ENG APPR.	
		ANGULAR: MACH ± BEND ±		MFG APPR.	
		TWO PLACE DECIMAL ±		Q.A.	
		THREE PLACE DECIMAL ±		COMMENTS:	
		INTERPRET GEOMETRIC TOLERANCING PER:			
		MATERIAL			
		FINISH			
NEXT ASSY	USED ON	APPLICATION		DO NOT SCALE DRAWING	



**TITLE:**  
220 VT ENCAPSULATED

SIZE	DWG. NO.	REV
<b>B</b>	<b>220 VTE</b>	

SCALE: 1:24 WEIGHT: SHEET 1 OF 1