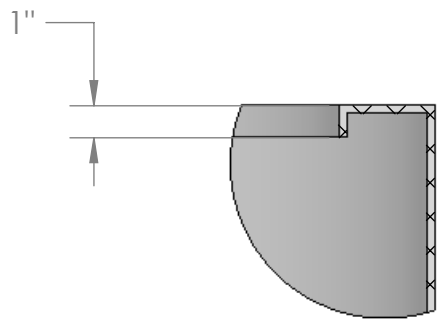
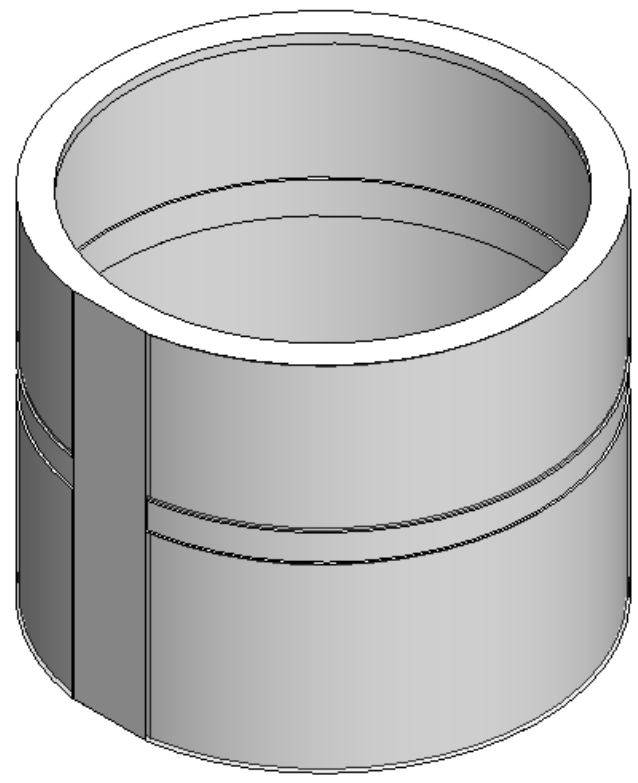
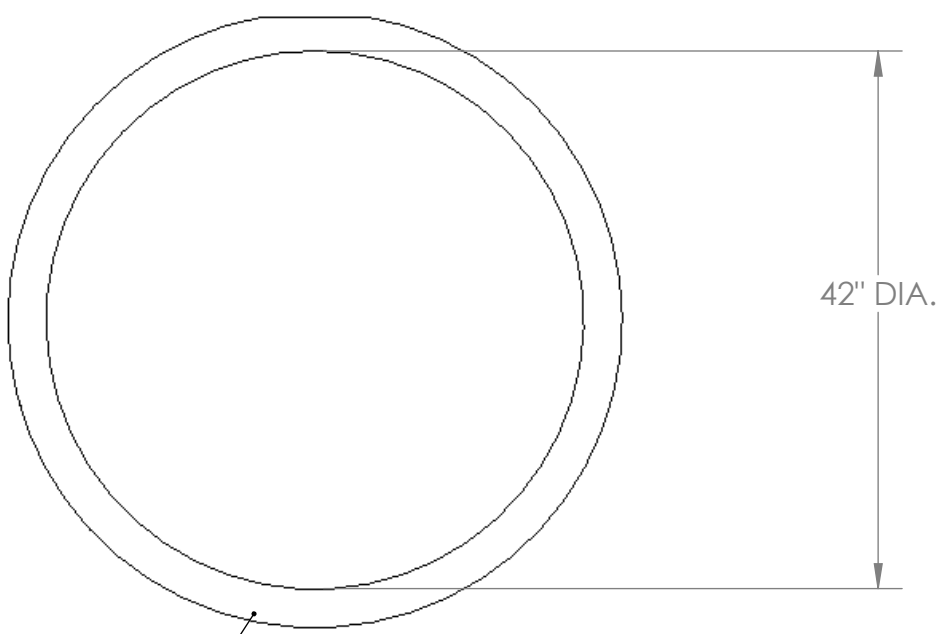


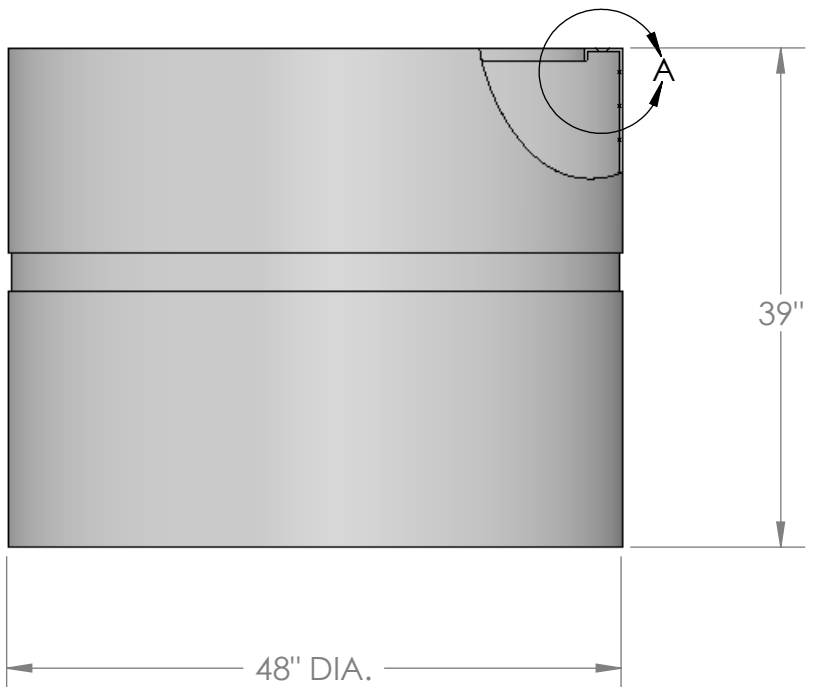
8 7 6 5 4 3 2 1

D
C
B
A

D
C
B
A



DETAIL A
SCALE 1 : 6



- NOTES:
1. MATERIAL: HDPE
 2. MOLDED WEIGHT: 60 LBS.

PROPRIETARY AND CONFIDENTIAL
THE INFORMATION CONTAINED IN THIS DRAWING IS THE SOLE PROPERTY OF <INSERT COMPANY NAME HERE>. ANY REPRODUCTION IN PART OR AS A WHOLE WITHOUT THE WRITTEN PERMISSION OF <INSERT COMPANY NAME HERE> IS PROHIBITED.

		UNLESS OTHERWISE SPECIFIED:		NAME	DATE	CUSTOM ROTO-MOLDING, INC.
		DIMENSIONS ARE IN INCHES TOLERANCES: FRACTIONAL ± ANGULAR: MACH ± BEND ± TWO PLACE DECIMAL ± THREE PLACE DECIMAL ±		EBW	6/3/09	
		INTERPRET GEOMETRIC TOLERANCING PER:		DRAWN		TITLE: 300 GALLON OPEN TOP TANK
		MATERIAL		CHECKED		
		FINISH		ENG APPR.		
NEXT ASSY	USED ON	DO NOT SCALE DRAWING		MFG APPR.		SIZE DWG. NO. REV
APPLICATION				Q.A.		B 300 OTT
				COMMENTS:		SCALE: 1:20 WEIGHT: SHEET 1 OF 1

8 7 6 5 4 3 2 1