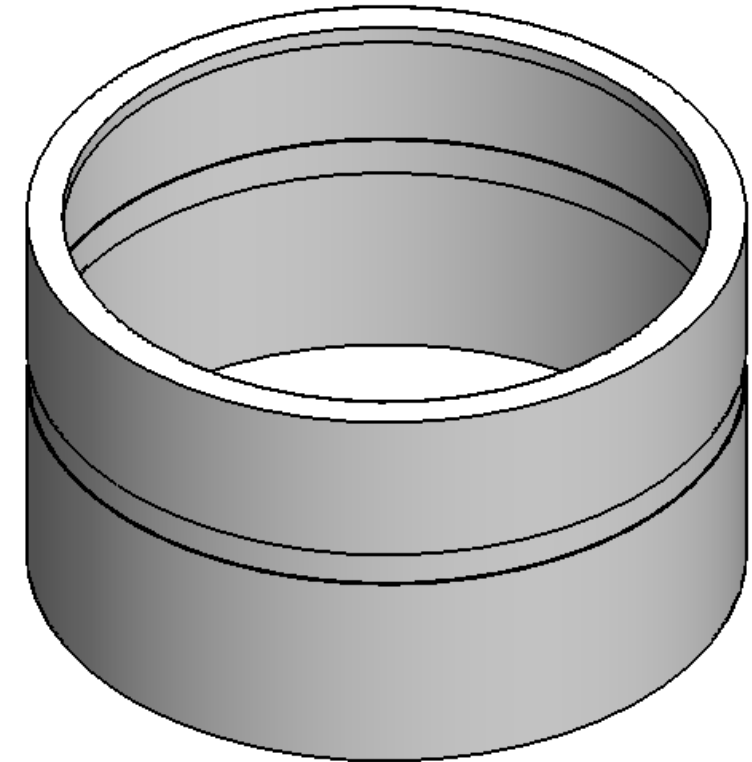
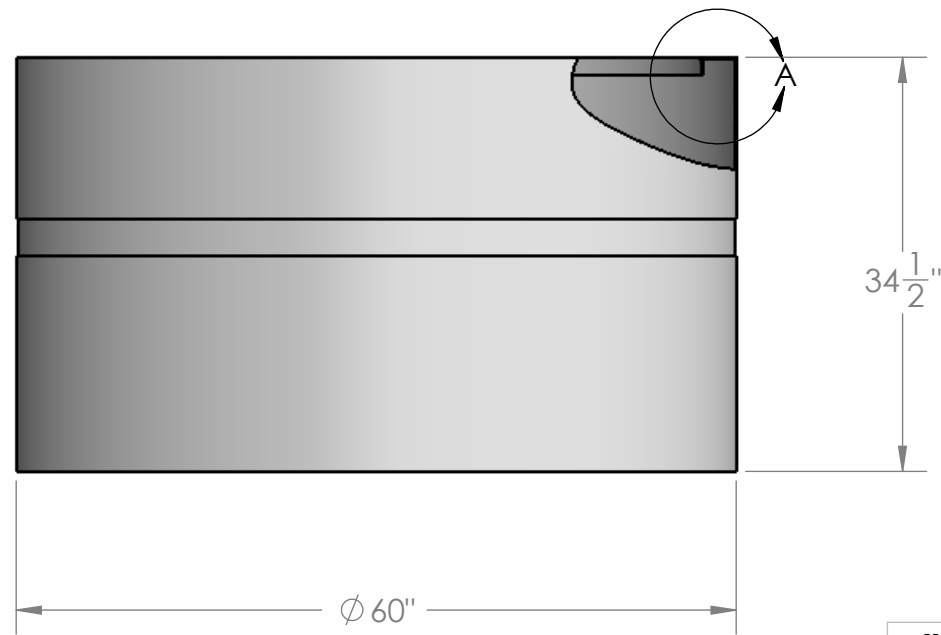


DETAIL A
SCALE 1 : 8



NOTES:

1. MATERIAL: HDPE
2. MOLDED WT. 80 LBS
3. RATED 2.0 S.G.



PROPRIETARY AND CONFIDENTIAL
THE INFORMATION CONTAINED IN THIS DRAWING IS THE SOLE PROPERTY OF <INSERT COMPANY NAME HERE>. ANY REPRODUCTION IN PART OR AS A WHOLE WITHOUT THE WRITTEN PERMISSION OF <INSERT COMPANY NAME HERE> IS PROHIBITED.

		UNLESS OTHERWISE SPECIFIED:		NAME	DATE	CUSTOM ROTO-MOLDING	
		DIMENSIONS ARE IN INCHES		DRAWN	EBW	1-14-11	TITLE: 400 GALLON OPEN TOP TANK
		TOLERANCES:		CHECKED			
		FRACTIONAL ±		ENG APPR.			SIZE DWG. NO. REV B
		ANGULAR: MACH ± BEND ±		MFG APPR.			
		TWO PLACE DECIMAL ±		Q.A.			SCALE: 1:16 WEIGHT: SHEET 1 OF 1
		THREE PLACE DECIMAL ±		COMMENTS:			
		INTERPRET GEOMETRIC TOLERANCING PER:					
		MATERIAL					
		FINISH					
NEXT ASSY	USED ON	DO NOT SCALE DRAWING					
APPLICATION							