

1

2

3

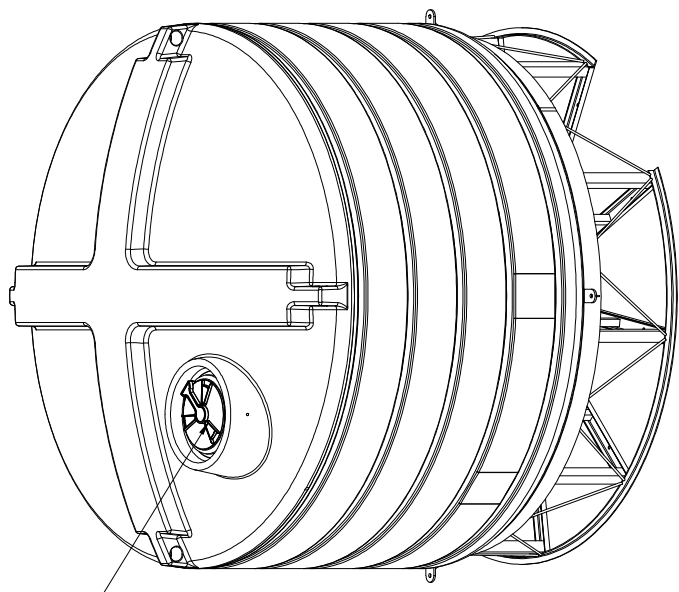
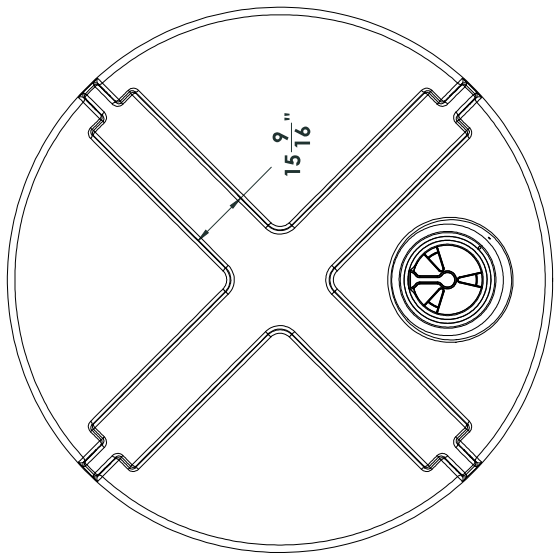
4

D

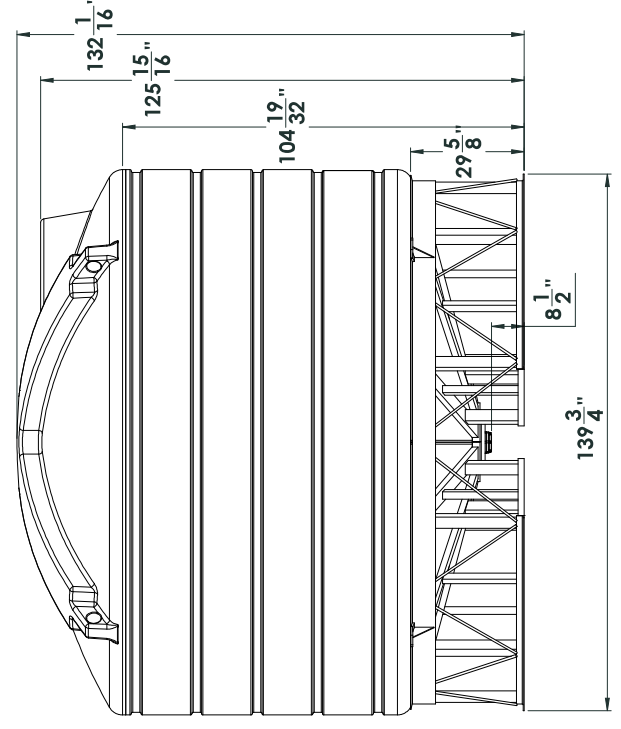
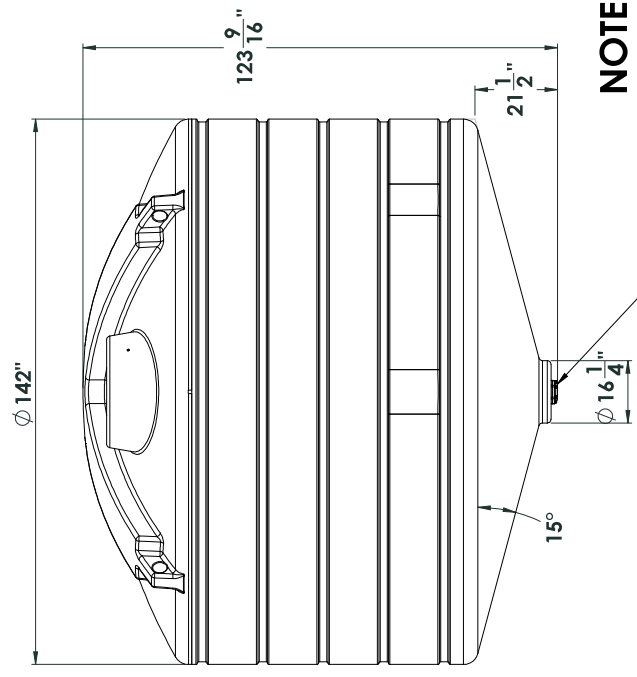
C

B

A



Shown with AZFC06011 stand



**NOTE: Allow +/- 1.5% Shrinkage**

NAME	DATE	DRWN	CHEKED	ENG APPR.	DATE
DJS	11/20/15				
UNLESS OTHERWISE SPECIFIED: DIMENSIONS ARE IN INCHES TOLERANCES: FRACTIONAL ± .010 DECIMAL ± .005 TWO PLACE DECIMAL ± .005 THREE PLACE DECIMAL ± .001					
G.A. COMMENTS:					
INTERFERE GEOMETRIC MATCHING FIT: MATERIAL:					
FINISH					
REPT ASST	USED ON	DO NOT SCALE DRAWING			
APPLICATION					
TITLE: <b>ENDURAPLAS LLC</b>					
SIZE DWG. NO. <b>THC06011</b>					
SCALE: 1:50WEIGHT: <b>C</b>					
REV <b>1</b>					
SHEET 1 OF 1					

**3 inch bolted - bottom drain fitting**

**PROPERTY AND COPYRIGHT:**  
THE INFORMATION CONTAINED IN THIS DRAWING IS THE SOLE PROPERTY OF ENDURAPLAS LLC AND IS TO BE USED ONLY IN CONNECTION WITH THE PERFORMANCE OF ENDURAPLAS LLC PRODUCTS.

D

C

B

A

1

2

3

4