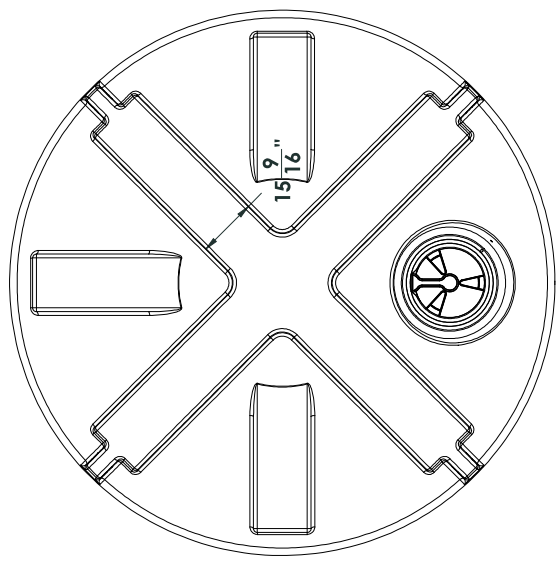


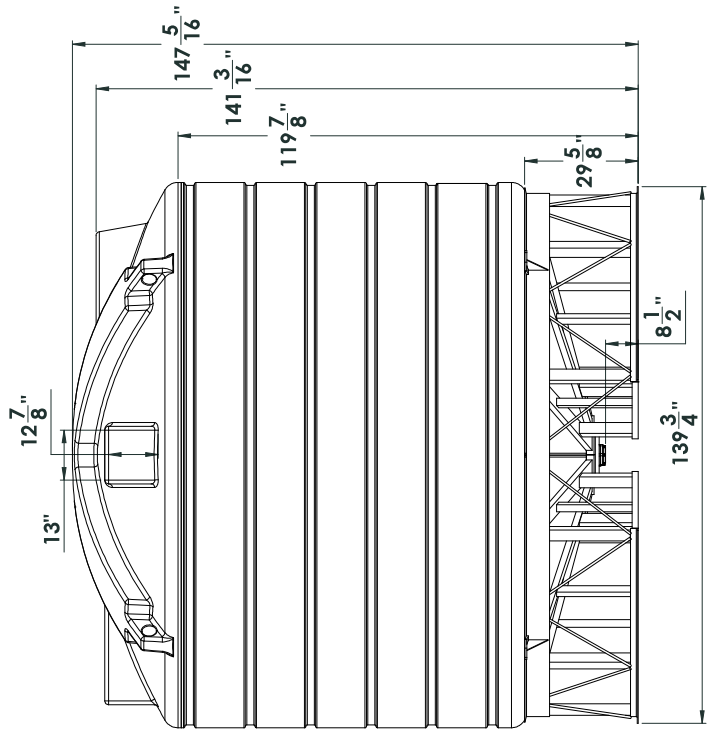
16 inch lid

Shown with AZFC06011 stand



$15 \frac{1}{16}$ "

$9 \frac{7}{16}$ "



$12 \frac{7}{8}$ "

13"

$147 \frac{5}{16}$ "

$141 \frac{3}{16}$ "

$119 \frac{7}{8}$ "

$29 \frac{5}{8}$ "

$139 \frac{3}{4}$ "

8 1/2"

$\phi 142$ "

$138 \frac{13}{16}$ "

$21 \frac{1}{2}$ "

15°

$\phi 16 \frac{1}{4}$ "

3 inch bolted - bottom drain fitting

NOTE: Allow +/- 1.5% Shrinkage

NAME	DATE	DRAWN	CHECKED	DATE
DJS	11/20/15			
UNLESS OTHERWISE SPECIFIED:				
DIMENSIONS ARE IN INCHES				
FRACTIONS: 1/8" - 1/4" - 3/8" - 1/2" - 5/8" - 3/4" - 7/8" - 1"				
DECIMALS: 0.0625" - 0.125" - 0.1875" - 0.25" - 0.3125" - 0.375" - 0.4375" - 0.5" - 0.5625" - 0.625" - 0.6875" - 0.75" - 0.8125" - 0.875" - 0.9375" - 1"				
TOLERANCES: ±0.005" - ±0.010" - ±0.015" - ±0.020" - ±0.030" - ±0.040" - ±0.050" - ±0.060" - ±0.070" - ±0.080" - ±0.090" - ±0.100" - ±0.125" - ±0.150" - ±0.1875" - ±0.250" - ±0.3125" - ±0.375" - ±0.4375" - ±0.500" - ±0.625" - ±0.750" - ±0.875" - ±1.000"				
TWO PLACE DECIMAL: ±0.01" - ±0.02" - ±0.03" - ±0.04" - ±0.05" - ±0.06" - ±0.07" - ±0.08" - ±0.09" - ±0.10" - ±0.12" - ±0.15" - ±0.18" - ±0.25" - ±0.31" - ±0.37" - ±0.43" - ±0.50" - ±0.62" - ±0.75" - ±0.87" - ±1.00"				
THREE PLACE DECIMAL: ±0.001" - ±0.002" - ±0.003" - ±0.004" - ±0.005" - ±0.006" - ±0.007" - ±0.008" - ±0.009" - ±0.010" - ±0.012" - ±0.015" - ±0.018" - ±0.025" - ±0.031" - ±0.037" - ±0.043" - ±0.050" - ±0.062" - ±0.075" - ±0.087" - ±0.100"				
INTERFERE GEOMETRIC TOLERANCING FOR MATERIAL:				
COMMENTS:				
DO NOT SCALE DRAWING				
REV	DATE	BY	APP. BY	DESCRIPTION
1				

PROPERTY AND COPYRIGHT OF ENDURAPLAS LLC. THIS DRAWING IS THE SOLE PROPERTY OF ENDURAPLAS LLC. IT IS TO BE USED ONLY FOR THE PROJECT AND SITE SPECIFICALLY IDENTIFIED HEREIN. NO PARTS OR MATERIALS SHALL BE REPRODUCED OR TRANSMITTED IN ANY FORM OR BY ANY MEANS, WITHOUT PERMISSION OF ENDURAPLAS LLC.

ENDURAPLAS LLC
 TITLE: THC07011
 SIZE: DWG. NO. C
 REV: 1
 SCALE: 1:50 WEIGHT: SHEET 1 OF 1