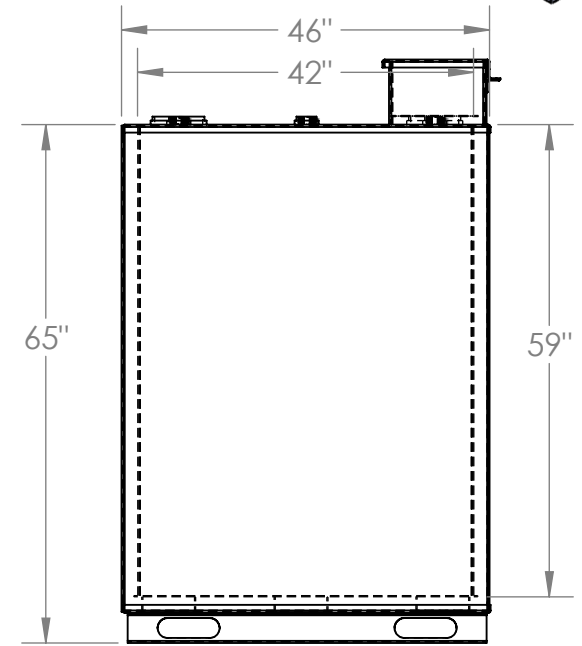
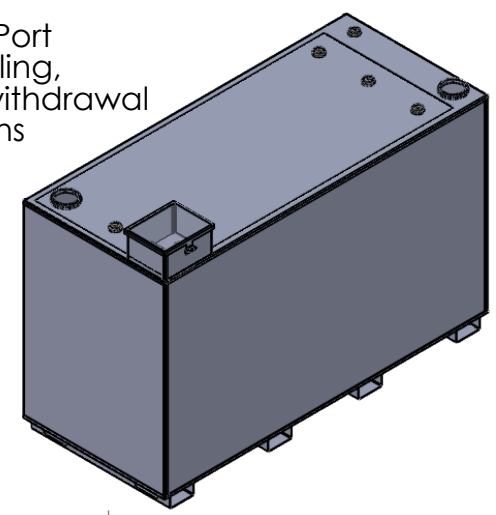


Any 2" Inner Tank Port can be used for filling, gauging, pump/withdrawal or venting functions



**PROPRIETARY AND CONFIDENTIAL**  
 THE INFORMATION CONTAINED IN THIS DRAWING IS THE SOLE PROPERTY OF Blazer Manufacturing. ANY REPRODUCTION IN PART OR AS A WHOLE WITHOUT THE WRITTEN PERMISSION OF Blazer Manufacturing IS PROHIBITED.

		UNLESS OTHERWISE SPECIFIED:		NAME	DATE
		DIMENSIONS ARE IN INCHES		DRAWN	JM 01/25
		TOLERANCES:		CHECKED	
		FRACTIONAL ± 1/16		ENG APPR.	
		ANGULAR: MACH ± BEND ± 1		MFG APPR.	
		TWO PLACE DECIMAL ±.01		Q.A.	
		THREE PLACE DECIMAL ±.005		COMMENTS:	
		INTERPRET GEOMETRIC TOLERANCING PER:			
		MATERIAL			
		10 Ga. Steel			
		FINISH			
NEXT ASSY	USED ON				
APPLICATION		DO NOT SCALE DRAWING			

TITLE: **1,000 Gal MW**



Fuel & Oil Storage Solutions

SIZE	DWG. NO.	REV
<b>A</b>	1054665-00	

SCALE: 1:32 WEIGHT: 2,200# SHEET 1 OF 1