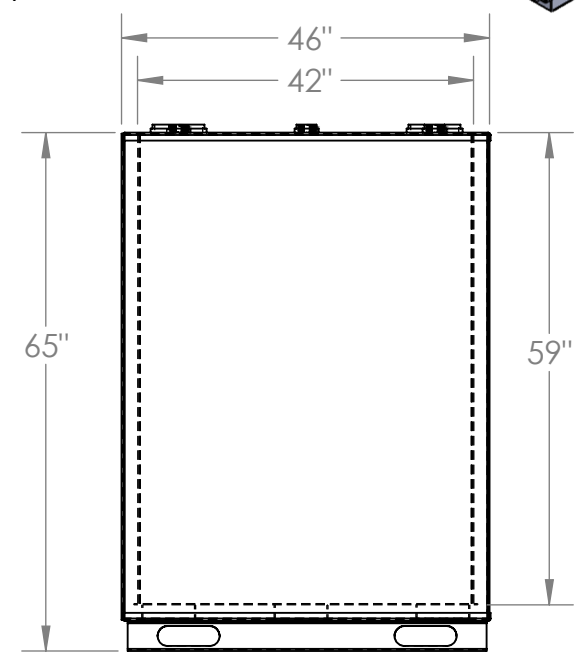
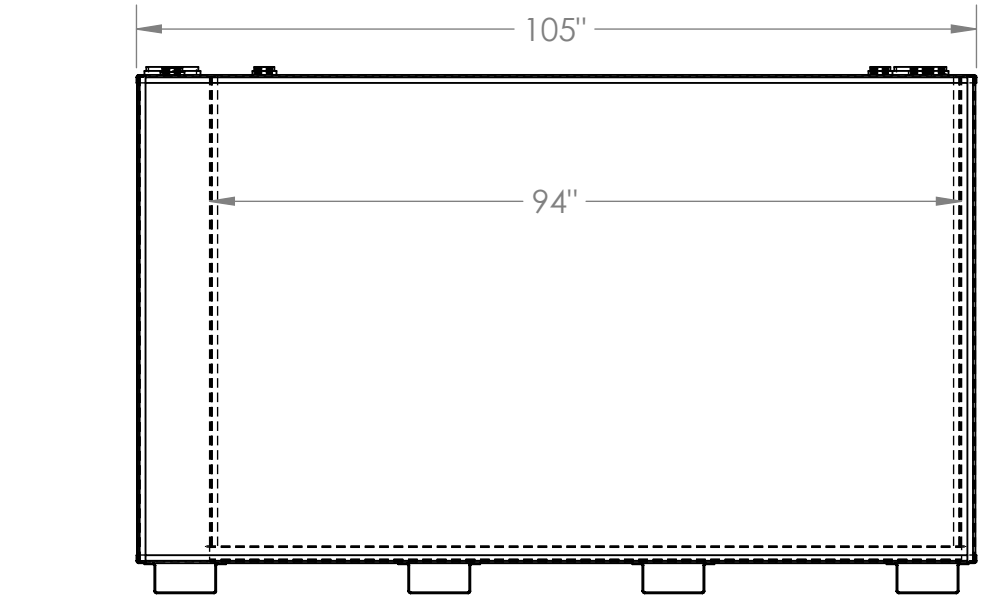
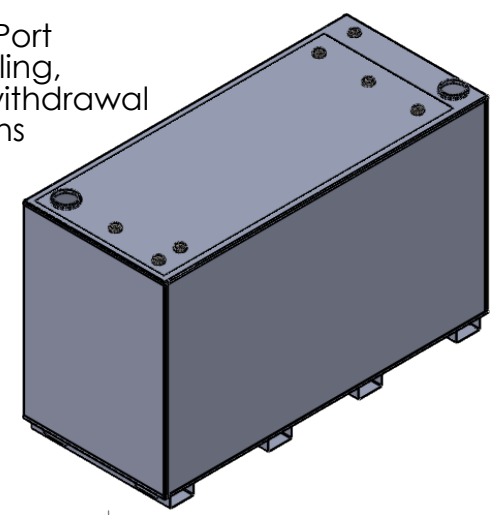


Any 2" Inner Tank Port can be used for filling, gauging, pump/withdrawal or venting functions



PROPRIETARY AND CONFIDENTIAL
 THE INFORMATION CONTAINED IN THIS DRAWING IS THE SOLE PROPERTY OF Blazer Manufacturing. ANY REPRODUCTION IN PART OR AS A WHOLE WITHOUT THE WRITTEN PERMISSION OF Blazer Manufacturing IS PROHIBITED.

		UNLESS OTHERWISE SPECIFIED: DIMENSIONS ARE IN INCHES TOLERANCES: FRACTIONAL $\pm 1/16$ ANGULAR: MACH \pm BEND ± 1 TWO PLACE DECIMAL $\pm .01$ THREE PLACE DECIMAL $\pm .005$	DRAWN	NAME	DATE
		INTERPRET GEOMETRIC TOLERANCING PER:	CHECKED	JM	01/25
		MATERIAL	ENG APPR.		
		10 Ga. Steel	MFG APPR.		
		FINISH	Q.A.		
NEXT ASSY	USED ON		COMMENTS:		
APPLICATION		DO NOT SCALE DRAWING			

TITLE: **1,000 Gal MW**



Fuel & Oil Storage Solutions

SIZE	DWG. NO.	REV
A	1054665-00	

SCALE: 1:32 WEIGHT: 2,200# SHEET 1 OF 1