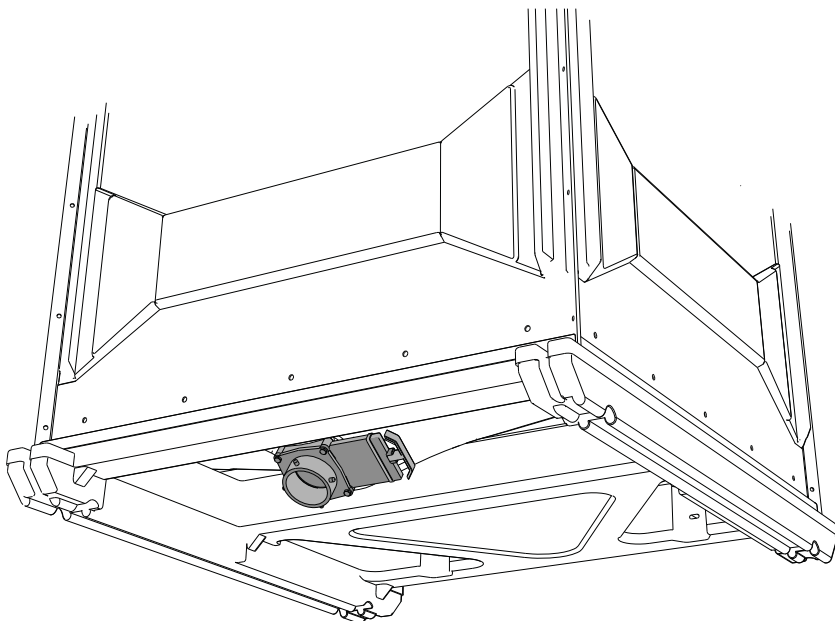




DT02-1000 Dump Valve Installation Instructions



We recommend reading through the entire instructions prior to proceeding with installation, service and maintenance. All references to the left and right throughout the entire instructions are as viewed from the front of the restroom.

POLYJOHN USA

PolyJohn Enterprises Corp
2500 Gaspar Ave.
Whiting, IN 46394
Phone: 800-292-1305
Fax: 219-659-0625
www.polyjohn.com
info@polyjohn.com

POLYJOHN WORLDWIDE

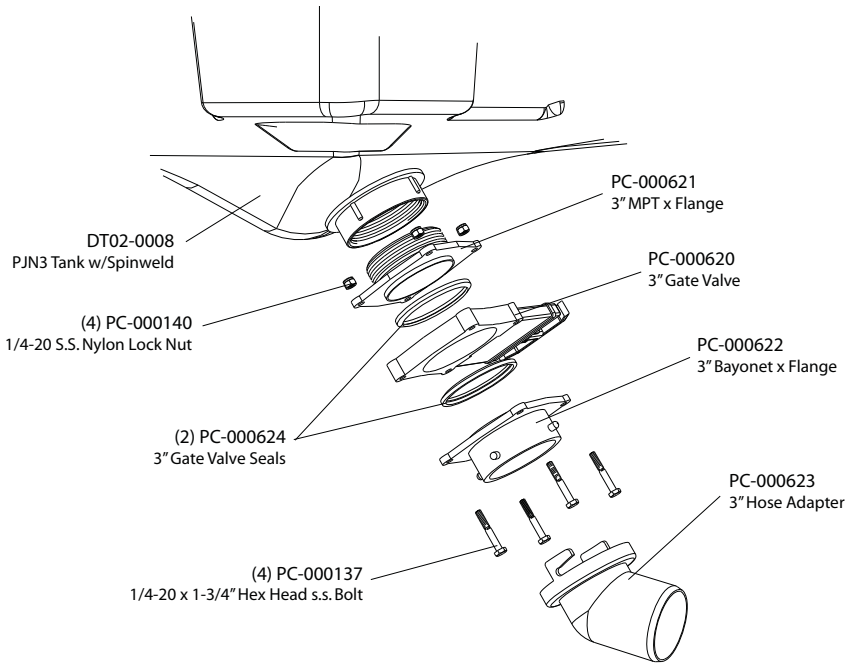
PolyJohn (UK) Ltd.
Equinox 1 Audby Lane
Wetherby, England LS22 7RD
Phone: 44 (0) 1937-583333
Fax: 44 (0) 1937-583322
www.polyjohn.co.uk
sales@polyjohn.co.uk

POLYJOHN CANADA

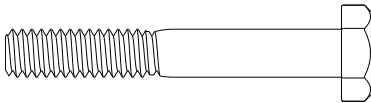
Rama Plastics
P.O. Box 2300
199 Forest Plain Rd.
Orillia, Ontario LV3 6S2
Phone: 800-465-9590
Fax: 705-325-8250
www.polyjohncanada.ca
info@polyjohncanada.ca

General Product Overview

This version of PJN3-0008 tank is supplied with a dump valve for dumping the waste into an approved receptacle. The dump valve parts should be assembled after the unit has been assembled. **Note: After assembly, the unit must be elevated by 3" minimum to obtain the proper clearance for the dump valve assembly.** This may be done by placing two- 2 x 4 (or 2 x 6) boards underneath each runner.



Full Size Scale of Fasteners



(4) PC-000137-
1/4-20 x 1-3/4" Hex Head S.S. Bolt



(4) PC-000140
1/4-20 S.S. Nylon Lock Nut

Tools Required For Installation

- (2) 7/16" Wrenches
 - Pipe Sealant
 - Petroleum Jelly

Assembly Instructions

Step 1:

Lay the unit on its right side, and prepare the PC-000621- 3" MPT x Flange adapter by liberally coating the threads with pipe sealant. Thread the fitting into the 3" spinweld fitting located on the bottom of the tank. Be sure that the fitting is orientated such that the straight sides are in line with the base.

Step 2:

Coat the PC-000624 rubber seals with petroleum jelly. Place a PC-000624 rubber seal on each side of the PC-000620 gate valve. Place the PC-000622 3" Bayonet x Flange on one side of the gate valve, and place this assembly over the PC-000621, lining up the mounting holes. Be sure to orient the valve so that the handle side of the valve is pointing up (towards the urinal side of the unit).

Step 3:

Insert a PC-000137 Bolt through one of the holes and place a PC-000140 nut on the back side. Hand tighten only at this time. Repeat this for the remaining 3 holes. Using the 7/16" wrenches, tighten up the bolts and nuts. Open and close the valve by pulling the handle out and in. If the valve proves too difficult to operate, loosen the bolts *slightly*. Carefully stand the unit upright and check the clearance between the valve and ground.

The PC-000623 hose adapter, PC-000353 Hose Clamp, and PC-000810 3" hose can be fitted together at this time. The PC-000623 hose adapter fits onto the PC-000622 Bayonet fitting by pushing the adapter on the bayonet fitting and turning clockwise until it locks into place.

Assembly is complete.

Winterizing

- Drain all water from the tanks.
- Depress the foot pump to clear lines.
- Flush tank with a solution of chlorine and water.

CLEANING AND MAINTENANCE

Use a mild soap to clean all surfaces and component parts.

Minor scratches and abrasions can be lightly sanded or scrubbed with a mild abrasive cleaner (*such as "Soft Scrub"*) that contains calcium carbonate, hypochlorate bleach and detergents. Be sure to follow the cleaning product directions since these ingredients may cause hazardous gases when mixed with other chemicals. Rinse the cleaned area and buff with a conventional wax.

Some light scratches may also be hidden by using an industrial hot air gun.

To keep the water fresh add a "Fresh Sink Tablet" (*chlorinated tablet*) each time the sink is filled with water.

For a source of cleaning, deodorizing and paper products contact:

RID IT
2500 GASPAR AVE.
WHITING, IN 46394-2175
800-292-1305 EXTENSION 514
www.rid-it.com

We highly recommend membership in the Portable Sanitation Association International (PSAI); the worldwide authority on portable sanitation services. The PSAI, "Portable Sanitation Industry Certification Program" manual contains a wealth of information on standards and service procedures. For more information contact the PSAI:

PORTABLE SANITATION ASSOCIATION INTERNATIONAL (PSAI)
7800 METRO PARKWAY, SUITE 104
BLOOMINGTON, MINNESOTA 55425 USA
800-822-3020 / 612-854-8300 FAX 612-854-7560
www.pesai.org

MISSION STATEMENT

"PolyJohn is a family owned, state of the art, plastics manufacturing company dedicated to providing its employees with a work environment committed to excellence, and its customers with innovative products, services and technology that meet or exceed their requirements."

THANK YOU FOR PURCHASING POLYJOHN PRODUCTS!

Look for us on the Web @ www.PolyJohn.com